



Vendor: CISCO

Exam Code: 642-374

Exam Name: Cisco Express Foundation for Systems
Engineers (CXFS)

Version: DEMO

1. how can you mitigate threats in WLANS when static WEP keys are used?

- A. use ssid to provide security.
- B. Assign matching keys to the client and the access point
- C. Provide different keys to the client and access point.
- D. Use standard 802.11 WEP keys which are very secure.

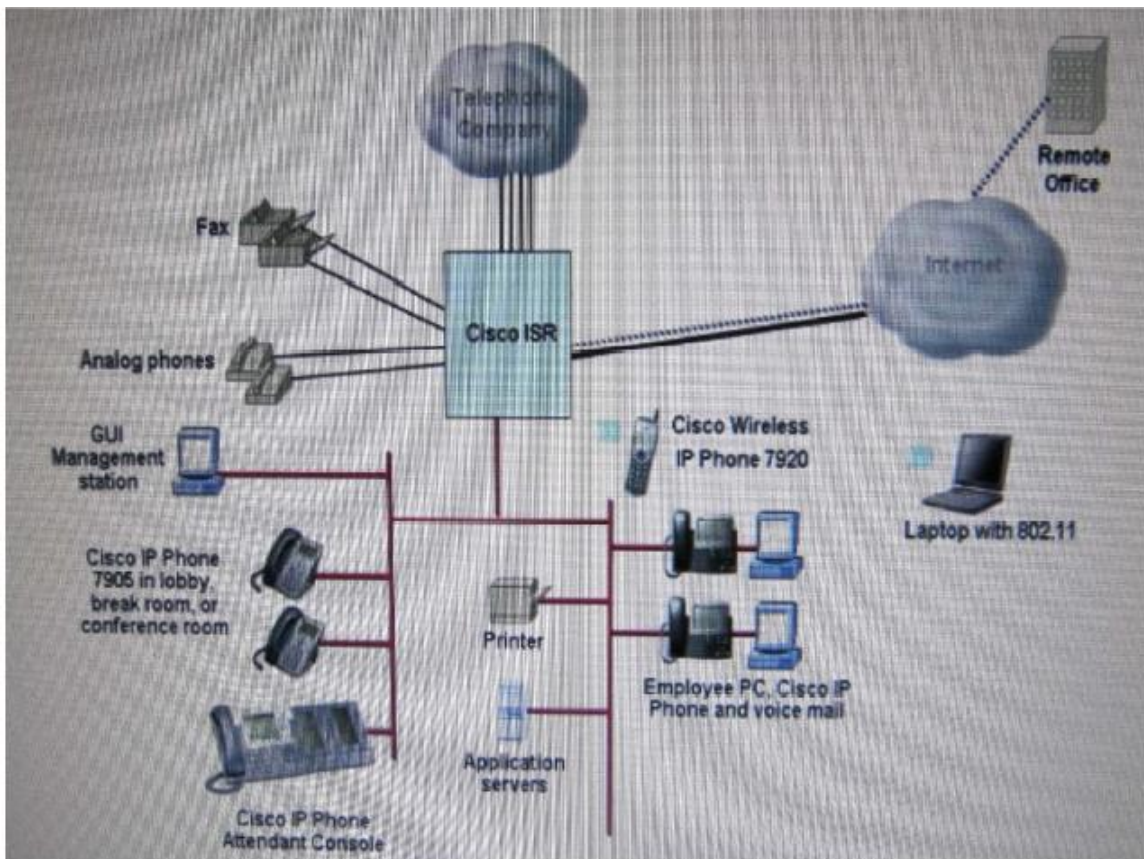
Answer: A

2. which of these statements regarding Cisco's WebVPN support is correct?

- A. Cisco ISR Routers with the Enhanced Security Bundles support WebVPN
- B. Cisco security appliances act as a proxy between the end user and the target web server.
- C. Cisco PIX Security Appliances (running release 7.0) and adaptive Security Appliances both support WebVPN.
- D. Cisco's WebVPN solution supports both TCP and UDP port forwarding for legacy application support.

Answer: B

3. Refer to the exhibit.



Deploying integrated services on the Cisco ISR Router can help reduce network cost and complexity by integrating which four of these features on the ISR? (Choose four)

- A. firewall and VPN
- B. IP telephony and voice mail
- C. Secure Access Control Server

- D. LAN switching and Wireless LAN
- E. IPS
- F. Anomaly Guard and Detection

Answer: ABDE

4. You are offering the integrated services router solutions to a client. Which two features and benefits would you describe? (choose two)

- A. IP telephony and voicemail integration
- B. standard security
- C. dynamic configuration
- D. integrated web-based tools
- E. speeds and feeds
- F. lower pricing

Answer: AB

5. What are two features of Cisco Configuration Professional? (choose two)

- A. software installation for Cisco Configuration Professional router configuration
- B. delayed network and router resource monitoring
- C. Cisco Easy VPN server
- D. three-step router lockdown
- E. web-based management tool
- F. limited configuration support for LAN and WAN interfaces

Answer: AF

6. Which three Cisco Configuration Professional features might prompt a client to consider an upgrade? (Choose three)

- A. association of QoS policies with router interfaces
- B. VPN and WAN connection testing
- C. role-based access
- D. security audit
- E. WAN and VPN troubleshooting
- F. Cisco Configuration Professional Express
- G. AAA

Answer: CDE

7. When offering the Cisco Aironet 1200 and 1300 Series Access Points, which two characteristics should you focus on? (choose two)

- A. limitations of antenna usage
- B. wireless LAN infrastructure
- C. configuration options
- D. companion switching solutions
- E. functionality of the RF signals

Answer: AE

8.How does the Cisco Small Business Pro Service differ from the Cisco Small Business Pro warranty?

- A. access to Cisco Small Business Support community
- B. device-level warranty
- C. cisco small Business pro products only
- D. speed of hardware replacement

Answer: A

9.Which two of these statements describe important aspects of performing a wireless site survey?(Choose two.)

- A. An 802.11g access point with a variety of antennas can be used in all standard site surveys.
- B. site surveys can be performed manually or through assisted site survey.
- C. Channel power during testing starts at the default minimum and gradually increases to the maximum.
- D. overlapping access points can create performance problems.
- E. surveys should be done after hours in an office building or during reduced inventory levels in warehouses.

Answer: BD

10.Which IPsec protocol would you use to provide authentication,integrity checking,and confidentiality to IP packets?

- A. AH
- B. ESP
- C. IKE
- D. ISAKMP

Answer: B