

Ensurepass.com Easy Test! Easy Pass!



Vendor: Cisco

Exam Code: 642-067

Exam Name: Advanced Routing and Switching for Field Engineers (ARSFE)

Version: DEMO

QUESTION 1

What is a characteristic of the Cisco Validated Design architectural selling approach?

- A. This approach separates technologies based on customer buying patterns.
- B. This approach integrates solutions by combining technologies that are aligned to customer buying patterns.
- C. Although this approach supports verticalization, it is not aligned to partner programs.
- D. Although this approach is aligned to partner programs, it does not support verticalization.

Answer: B

QUESTION 2

When HSRP is configured on a network, which two of these items are provided, which are shared between the routers that run HSRP? (Choose two.)

- A. TCP-based hello packets
- B. the impact of flapping links if timers are too low
- C. a shared single interface
- D. the ability to track serial interfaces
- E. UDP-based hello packets

Answer: BD

QUESTION 3

Which term represents the mode that is used when the router stores log messages in RAM memory?

- A. syslog logging
- B. terminal logging
- C. buffered logging
- D. console logging

Answer: C

QUESTION 4

Refer to the exhibit. Which of the following statements is true?

```
router bgp 65000
  bgp log-neighbor-changes
  neighbor 10.11.1.187 remote-as 65001
  neighbor 10.11.1.187 update-source Loopback0
  bgp graceful-restart
```

- A. BGP NSF awareness is enabled
- B. SSO for BGP NSF capability is enabled
- C. BGP graceful restart awareness is enabled
- D. 10.11.1.187 is configured as an NSF-capable BGP neighbor

Answer: A

QUESTION 5

How are RIP routing contexts implemented in MPLS VPN?

- A. RIP does not support routing contexts
- B. routing contexts are implemented in a single routing process
- C. routing contexts are implemented using multiple routing processes
- D. routing contexts are implemented as several instances of a single routing process
- E. routing contexts are implemented as a single instance of several routing processes

Answer: D

QUESTION 6

What is a primary objective of the security architecture assessment?

- A. document power and UPS availability
- B. to integrate routing and switching components
- C. create a design specification document
- D. document the customer's current and future technology projects

Answer: B

QUESTION 7

Which architecture provides a core infrastructure that allows customers to capitalize rapidly on changing business requirements?

- A. data center
- B. campus
- C. branch
- D. teleworker

Answer: B

QUESTION 8

Which PIN architecture works with DMVPN, GETVPN, and Ethernet?

- A. data center
- B. teleworker
- C. branch
- D. campus

Answer: C

QUESTION 9

When implementing MPLS VPNs between CE and PE routers, which of these statements is correct?

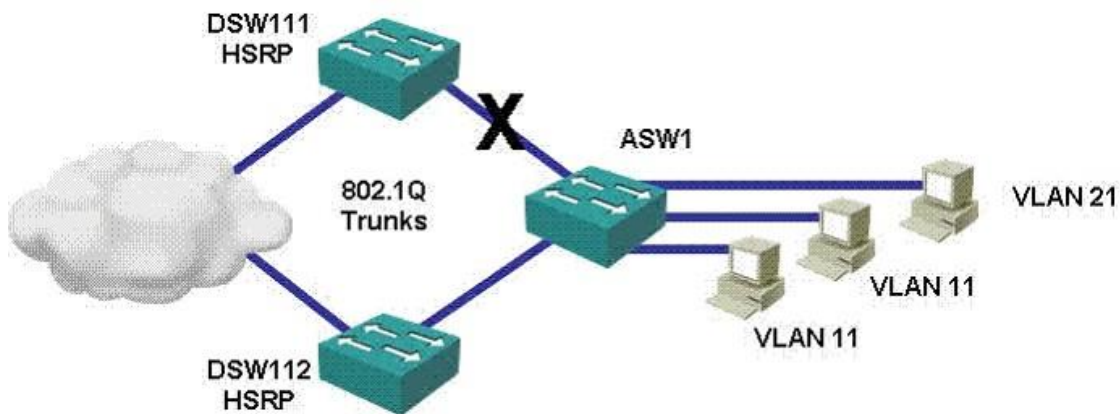
- A. If using IS-IS as the PE-CE routing protocol, no redistribution is required.
- B. If using static routes between the CE and PE routers, no redistribution of other VPN routes is required.

- C. If the PE-CE protocol is not BGP, redistribution of other VPN routes from MP-BGP is required.
- D. If RIP is the routing protocol that is used between the PE-CE routers, no redistribution is required, but any other protocol will require redistribution.
- E. If using OSPF or EIGRP as the PE-CE routing protocol, redistribution is not required, but any other protocol or static route will require redistribution.

Answer: C

QUESTION 10

Refer to the exhibit. Users complain that they intermittently lose data and connections to important servers. After investigation, you discover that the 802.1Q trunk between DSW111 and ASW1 is down. Even though the HSRP group 11 is being serviced by DSW112, you discover that the SVI for VLAN 11 is in the up state on DSW111. Which three Cisco Catalyst IOS commands should you use on DSW111 to find the source of this problem? (Choose three.)



- A. show vtp status
- B. show interfaces vlan 11
- C. show standby vlan 11 brief
- D. show spanning-tree vlan 11
- E. show interfaces <fast | gig> mod/port trunk

Answer: BDE

QUESTION 11

Refer to the exhibit. For interface FastEthernet0/0, what will happen to dscp af11 traffic if the queue for class "newclass" reaches a depth of 32?

- A. All packets will be dropped.
- B. One out of ten packets will be dropped.
- C. A random number of packets will be dropped.
- D. No packets will be dropped until the queue depth reaches 40.
- E. Packets will be dropped according to the exponential weight setting.

Answer: B

QUESTION 12

In which phase is a systems acceptance test plan developed and documented?

- A. Implement
- B. Design
- C. Prepare
- D. Operate

Answer: B

QUESTION 13

What will happen if you issue the redundancy force-switchover command on a Catalyst 6500 Series Switch with redundant supervisor modules?

- A. reset of the primary supervisor
- B. manual switchover from standby to active supervisor
- C. manual switchover from active to standby supervisor
- D. automatic switchover from active to standby on primary supervisor failure

Answer: C

QUESTION 14

When you issue the logging trap informational command, what happens?

- A. An information trap is sent to the SNMP server.
- B. Informational and debug messages are logged to the syslog server.
- C. All messages are sent to the logging host, where selections are made.
- D. All messages from emergencies to informational are sent to the logging host.

Answer: D

QUESTION 15

Which protocols does Cisco NSF support?

- A. IS-IS, EIGRP, SSO, BGP
- B. ISSU, OSPF, IS-IS
- C. IETF, OSPF, ISSU
- D. EIGRP, BGP, OSPF, IS-IS

Answer: D

Ensurepass.com Members Features:

1. Verified Answers researched by industry experts.
2. Q&As are downloadable in PDF and VCE format.
3. 98% success Guarantee and **Money Back** Guarantee.
4. Free updates for **180** Days.

View list of All Exam provided:

<http://www.ensurepass.com/certifications?index=A>

To purchase Lifetime Full Access Membership click here:

<http://www.ensurepass.com/user/register>

Valid Discount Code for 2014: SFOH-FZA0-7Q2S

To purchase the HOT Exams:

<u>Cisco</u>		<u>CompTIA</u>		<u>Oracle</u>	<u>VMWare</u>	<u>IBM</u>
<u>100-101</u>	<u>640-554</u>	<u>220-801</u>	<u>LX0-101</u>	<u>1Z0-051</u>	<u>VCAD510</u>	<u>C2170-011</u>
<u>200-120</u>	<u>640-802</u>	<u>220-802</u>	<u>N10-005</u>	<u>1Z0-052</u>	<u>VCP510</u>	<u>C2180-319</u>
<u>300-206</u>	<u>640-816</u>	<u>BR0-002</u>	<u>SG0-001</u>	<u>1Z0-053</u>	<u>VCP550</u>	<u>C4030-670</u>
<u>300-207</u>	<u>640-822</u>	<u>CAS-001</u>	<u>SG1-001</u>	<u>1Z0-060</u>	<u>VCAC510</u>	<u>C4040-221</u>
<u>300-208</u>	<u>640-864</u>	<u>CLO-001</u>	<u>SK0-002</u>	<u>1Z0-474</u>	<u>VCP5-DCV</u>	<u>RedHat</u>
<u>350-018</u>	<u>642-467</u>	<u>ISS-001</u>	<u>SK0-003</u>	<u>1Z0-482</u>	<u>VCP510PSE</u>	<u>EX200</u>
<u>352-001</u>	<u>642-813</u>	<u>JK0-010</u>	<u>SY0-101</u>	<u>1Z0-485</u>		<u>EX300</u>
<u>400-101</u>	<u>642-902</u>	<u>JK0-801</u>	<u>SY0-301</u>	<u>1Z0-580</u>		
<u>640-461</u>	<u>700-302</u>			<u>1Z0-820</u>		

