

[Download Full Version 200-310 Exam Dumps\(Updated in Feb/2023\)](#)

- A. Bandwidth
- B. Utilization
- C. Availability

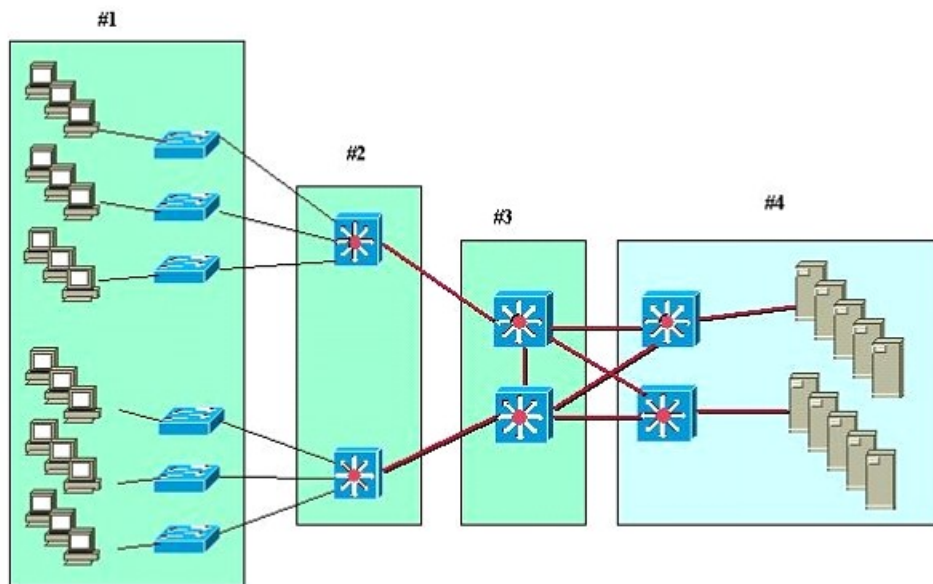
**Correct Answer:** A

**Explanation:**

[https://en.wikipedia.org/wiki/Network\\_performance](https://en.wikipedia.org/wiki/Network_performance)

**QUESTION 17**

Refer to the exhibit. A standard, Layer 2 campus network design is pictured. Which numbered box represents the distribution layer?



- A. #1
- B. #2
- C. #3
- D. #4

**Correct Answer:** B

**QUESTION 18**

Which Cisco technology can connect more than two switches so that they behave as one switch?

[200-310 Exam Dumps](#) [200-310 PDF Dumps](#) [200-310 VCE Dumps](#) [200-310 Q&As](#)

<https://www.ensurepass.com/200-310.html>

## [Download Full Version 200-310 Exam Dumps\(Updated in Feb/2023\)](#)

- A. Ether Channel
- B. Stack Wise
- C. VSS
- D. routing

**Correct Answer:** B

### **QUESTION 19**

In Cisco ACI, which option is the unified point of automation , management , monitoring and programmable?

- A. Python
- B. REST
- C. APIC
- D. Postman

**Correct Answer:** C

### **QUESTION 20**

Which Cisco device management feature is most suited to metering network traffic and providing data for billing network usage?

- A. BGP
- B. Cisco Discovery Protocol
- C. QoS
- D. RMON
- E. NetFlow

**Correct Answer:** E

### **QUESTION 21**

Which two methods are used to reduce the mesh links required between iBGP peers in the same AS? (Choose two.)

- A. community
- B. route reflectors
- C. local preference
- D. confederations
- E. atomic aggregate

**Correct Answer:** BD

### **QUESTION 22**

Which two Cisco data center devices can participate in Cisco FabricPath? (Choose two.)

- A. Cisco Nexus 5500 Series Switches
- B. Cisco Nexus 1000V Series Switches
- C. Cisco Nexus 7000 Series Switches
- D. Cisco Nexus 4900 Series Switches

[200-310 Exam Dumps](#) [200-310 PDF Dumps](#) [200-310 VCE Dumps](#) [200-310 Q&As](#)

<https://www.ensurepass.com/200-310.html>

## [Download Full Version 200-310 Exam Dumps\(Updated in Feb/2023\)](#)

E. Cisco MDS 9500 Series Multilayer Directors

**Correct Answer:** AC

### **QUESTION 23**

OSPF will be used as the IGP within a campus network. Which two things should you consider before deployment? (Choose two.)

- A. All areas need to connect back to area 0.
- B. The OSPF process number on each router should match.
- C. NSSA areas should be used when an area cannot connect directly to area 0.
- D. Stub areas should be connected together using virtual links.
- E. ECMP may cause undesired results depending on the environment.

**Correct Answer:** AE

### **QUESTION 24**

How to reduce the size of a routing table? (Choose two.)

- A. NAT
- B. Summarization
- C. Static routes
- D. VLAN

**Correct Answer:** AB

### **QUESTION 25**

Company ABC has intermittent problems registering site IP phones over the WAN with Cisco Unified CallManager at headquarter. The company hires a network consultant to help implement QoS in its network. Which technique should the consultant use to identify traffic and apple alone that travers the network?

- A. policing
- B. NBAR
- C. priority queuing
- D. RSVP

**Correct Answer:** B

### **QUESTION 26**

With deterministic Wireless LAN Controller redundancy design, the different options available to the designer have their own strengths. Which statement is an example of such a strength?

- A. Dynamic load balancing, or salt-and-pepper access point design, avoids the potential impact of oversubscription on aggregate network performance.
- B. N+N redundancy configuration allows logically grouping access points on controllers to minimize intercontroller roaming events.
- C. N+N+1 redundancy configuration has the least impact to system management because all of the controllers are colocated in an NOC or data center.
- D. N+1 redundancy configuration uses Layer 3 intercontroller roaming, maintaining traffic on the

[200-310 Exam Dumps](#) [200-310 PDF Dumps](#) [200-310 VCE Dumps](#) [200-310 Q&As](#)

<https://www.ensurepass.com/200-310.html>

## [Download Full Version 200-310 Exam Dumps\(Updated in Feb/2023\)](#)

same subnet for more efficiency.

**Correct Answer: B**

### **QUESTION 27**

Which option can use deep-packet examination to determine the specific nature of an attack?

- A. network IPS
- B. NetFlow collector
- C. stateful firewall
- D. syslog server

**Correct Answer: A**

### **QUESTION 28**

How many switches can be combined into a single network element using VSS?

- A. 4
- B. 6
- C. 8
- D. 2

**Correct Answer: D**

### **QUESTION 29**

The spanning tree topology can be simplified by deploying what Cisco NX-OS technology in the distribution and access layer?

- A. VDC
- B. vPC
- C. Rapid PVST+
- D. VSS
- E. Flex Links

**Correct Answer: B**

### **QUESTION 30**

Router A has three feasible successors to the 192.168.1.0/24 network, which are listed here:

Option 1 has a metric of 8123228.

Option 2 has a metric of 2195467.

Option 3 has a metric of 8803823.

The variance 4 command was issued on Router A.

How many active entries does Router A have in its routing table for the 192.168.1.0/24 network?

- A. 0

## [Download Full Version 200-310 Exam Dumps\(Updated in Feb/2023\)](#)

- B. 1
- C. 2
- D. 3

**Correct Answer:** C

### **QUESTION 31**

What are two components of the Build phase in the Cisco Design Lifecycle? (Choose two.)

- A. Migration
- B. Deployment
- C. Optimization
- D. Design
- E. Configuration

**Correct Answer:** AB

### **QUESTION 32**

A network engineer requires that an OSPF ASBR must only flood external LSAs only within its own area. What OSPF area type should be configured?

- A. Backbone Area
- B. Totally Stub Area
- C. Not So Stubby Area
- D. Stub Area

**Correct Answer:** C

### **QUESTION 33**

Which option is an example of physical device virtualization?

- A. VSS
- B. VPN
- C. VRF
- D. VLAN

**Correct Answer:** A

### **QUESTION 34**

Which option is a benefit of the modular approach to network design?

- A. higher availability
- B. repeatable scalability
- C. increased security
- D. improved resiliency

**Correct Answer:** B

### **QUESTION 35**

[200-310 Exam Dumps](#) [200-310 PDF Dumps](#) [200-310 VCE Dumps](#) [200-310 Q&As](#)

<https://www.ensurepass.com/200-310.html>