

- A. It load-balances traffic out of Fa0/1 and Fa0/2.
- B. It is unreachable and discards the traffic.
- C. It sends packets out of interface Fa0/2.
- D. It sends packets out of interface Fa0/1.

Correct Answer: B

QUESTION 40

Which API is used in controller-based architectures to interact with edge devices?

- A. overlay
- B. northbound
- C. underlay
- D. southbound

Correct Answer: D

QUESTION 41

How do TCP and UDP differ in the way they provide reliability for delivery of packets?

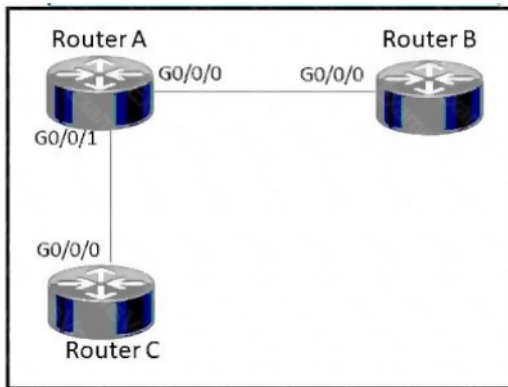
- A. TCP is a connectionless protocol that does not provide reliable delivery of data, UDP is a connection-oriented protocol that uses sequencing to provide reliable delivery.
- B. TCP does not guarantee delivery or error checking to ensure that there is no corruption of data. UDP provides message acknowledgement and retransmits data if lost.
- C. TCP provides flow control to avoid overwhelming a receiver by sending too many packets at once, UDP sends packets to the receiver in a continuous stream without checking for sequencing.
- D. TCP uses windowing to deliver packets reliably; UDP provides reliable message transfer between hosts by establishing a three-way handshake.

Correct Answer: C

QUESTION 42

Refer to the exhibit. How must router A be configured so that it only sends Cisco Discovery Protocol Information to router C?

[200-301 Exam Dumps](#) [200-301 PDF Dumps](#) [200-301 VCE Dumps](#) [200-301 Q&As](#)
<https://www.ensurepass.com/200-301.html>



```
#config t
Router A (config)#cdp run
Router A (config)#interface gi0/0/0
Router A (config-if)#no cdp enable

#config t
Router A (config)#cdp run
Router A (config)#interface gi0/0/0
Router A (config-if)#cdp enable

#config t
Router A (config)#cdp run
Router A (config)#interface gi0/0/1
Router A (config-if)#cdp enable

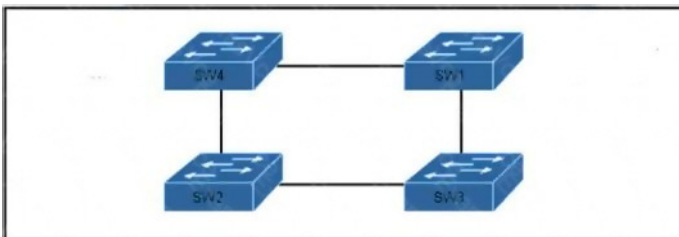
#config t
Router A (config)#no cdp run
Router A (config)#interface gi0/0/1
Router A (config-if)#cdp enable
```

- A. Option A
- B. Option B
- C. Option C
- D. Option D

Correct Answer: D

QUESTION 43

Refer to the exhibit. Which switch in this configuration will be elected as the root bridge?



```
SW1: 0C:E0:38:00:94:04
SW2: 0C:0E:15:22:05:97
SW3: 0C:0E:15:1A:3C:9D
SW4: 0C:E0:18:A1:B3:19
```

- A. SW1
- B. SW2
- C. SW3
- D. SW4

Correct Answer: C

QUESTION 44

What are two southbound APIs? (Choose two)

- A. OpenFlow
- B. NETCONF
- C. Thrift
- D. CORBA
- E. DSC

Correct Answer: AB

Explanation:

OpenFlow is a well-known southbound API. OpenFlow defines the way the SDN Controller should interact with the forwarding plane to make adjustments to the network, so it can better adapt to changing business requirements.

The Network Configuration Protocol (NetConf) uses Extensible Markup Language (XML) to install, manipulate and delete configuration to network devices.

QUESTION 45

By default, how Does EIGRP determine the metric of a route for the routing table?

- A. it uses the bandwidth and delay values of the path to calculate the route metric
- B. it uses a default metric of 10 for all routes that are learned by the router
- C. it uses a reference Bandwidth and the actual bandwidth of the connected link to calculate the route metric
- D. it counts the number of hops between the receiving and destination routers and uses that value as the metric

Correct Answer: A

QUESTION 46

Which WAN topology provides a combination of simplicity quality, and availability?

- A. partial mesh
- B. full mesh
- C. point-to-point
- D. hub-and-spoke

Correct Answer: C

QUESTION 47

What is a function of the Cisco DNA Center Overall Health Dashboard?

- A. It provides a summary of the top 10 global issues.
- B. It provides detailed activity logging for the 10 devices and users on the network.
- C. It summarizes the operational status of each wireless devise on the network.
- D. It summarizes daily and weekly CPU usage for servers and workstations in the network.

Correct Answer: A

QUESTION 48

Which two outcomes are predictable behaviors for HSRP? (Choose two)

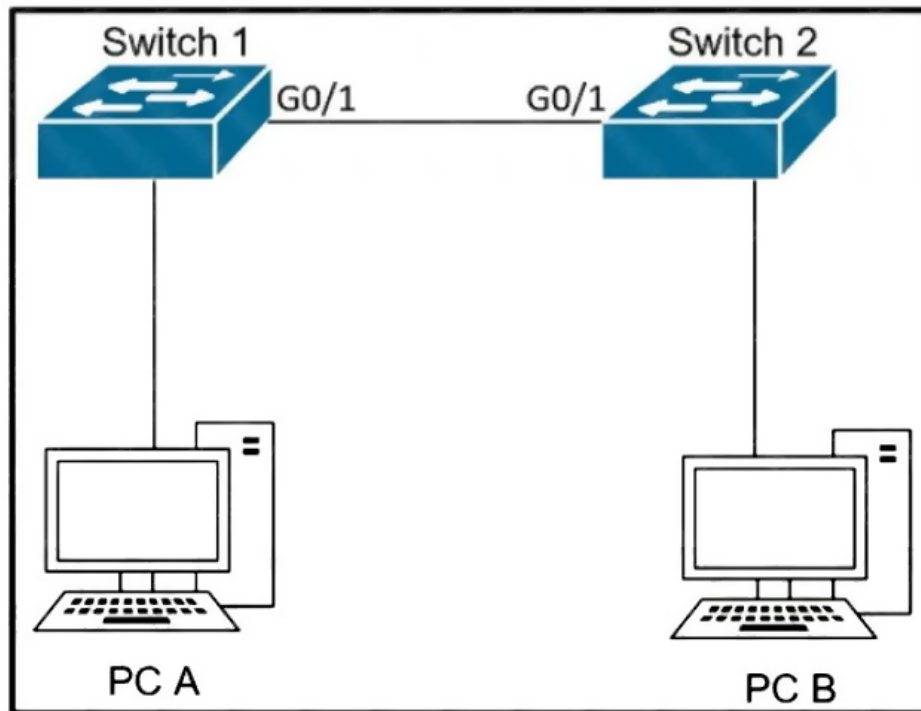
[Download Full Version 200-301 Exam Dumps \(Updated in Feb/2023\)](#)

- A. The two routers synchronize configurations to provide consistent packet forwarding
- B. The two routers negotiate one router as the active router and the other as the standby router
- C. Each router has a different IP address, both routers act as the default gateway on the LAN, and traffic is load-balanced between them
- D. The two routers share a virtual IP address that is used as the default gateway for devices on the LAN
- E. The two routers share the same interface IP address and default gateway traffic is load-balanced between them

Correct Answer: BD

QUESTION 49

Refer to the exhibit. The network administrator wants VLAN 67 traffic to be untagged between Switch 1 and Switch 2 while all other VLANs are to remain tagged. Which command accomplishes this task?



- A. switchport access vlan 67
- B. switchport trunk allowed vlan 67
- C. switchport private-vlan association host 67
- D. switchport trunk native vlan 67

Correct Answer: D

QUESTION 50

What event has occurred if a router sends a notice level message to a syslog server?

- A. A TCP connection has been torn down
- B. An ICMP connection has been built
- C. An interface line has changed status
- D. A certificate has expired.

Correct Answer: C

QUESTION 51

DRAG DROP

Drag and drop the network protocols from the left onto the correct transport services on the right.

SMTP
SNMP
TFTP
VoIP
SSH
FTP

Connection Oriented

Connectionless

Correct Answer:

SMTP
SNMP
TFTP
VoIP
SSH
FTP

Connection Oriented

FTP
SNMP
SSH

Connectionless

TFTP
VoIP
SMTP

QUESTION 52

Which type of attack can be mitigated by dynamic ARP inspection?

- A. worm
- B. malware
- C. DDoS
- D. man-in-the-middle

Correct Answer: D

QUESTION 53

What is the primary effect of the spanning-tree portfast command?

- A. it enables BPDU messages
- B. It minimizes spanning-tree convergence time