



# Juniper

## Exam JN0-1300

**Juniper Networks Certified Design Specialist, Data Center**

Version: 6.0

[ Total Questions: 65 ]

**Question No : 1**

A customer wants to build a new data center based on the QFX3000-M. The data center must support 30 high traffic volume host servers. Each server will be dual connected to the fabric with two 40 Gbps links. The customer requires that there be a 1:1 subscription ratio within the fabric.

How should the QFX3000-M be configured to meet the customer's requirements?

- A.** Use four QFX5100-24Q Interconnect chassis to which each of 30 QFX35000 nodes will be dual connected with two 40 Gbps FTE links to each QFX5100-24Q.
- B.** Use four QFX3600-I Interconnect chassis to which each of eight QFX3600 nodes will be dual connected with two 40 Gbps FTE links to each QFX3600-I.
- C.** Use eight QFX3600-I Interconnect chassis to which each of 16 QFX3600 nodes will be connected with a 40 Gbps FTE link to each QFX3600-I.
- D.** Use four QFX3008-I Interconnect chassis to which each of 16 QFX3600 nodes will be dual connected with two 40 Gbps FTE links to each QFX3600-I.

**Answer: A**

**Question No : 2**

What are two benefits of using VXLAN overlays in a data center network? (Choose two.)

- A.** It improves load balancing.
- B.** It transports Layer 2 traffic over a Layer 3 network.
- C.** It provides increased VLAN and MAC scalability.
- D.** It provides traffic encryption.

**Answer: A,B**

**Question No : 3**

You must make certain that your server traffic is load balanced across redundant connections to your access layer in a traditional three-tier architecture. You must also ensure that an access switch failure does not affect reachability to your servers.

In this scenario, which action would you perform to complete this task?

- A. Use LAG and establish a connection to a single access switch that is a member of a Virtual Chassis.
- B. Use LAG and establish two connections to two different access switches.
- C. Use MC-LAG and establish a connection to two different access switches in the same Virtual Chassis.
- D. Use MC-LAG and establish a connection to two different access switches.

**Answer: D**

**Question No : 4**

Which control plane routing protocol provides the greatest scalability for a Clos IP fabric?

- A. OSPF
- B. MPLS
- C. BGP
- D. IS-IS

**Answer: C**

**Question No : 5**

Your customer asks you to design a Data Center Interconnect solution. The solution should allow each of the tenants to use 802.1q tagging without concern for possible overlap in VLAN tags.

Which two protocols would you use to meet the customer requirements? (Choose two.)

- A. EVPN
- B. MLDP
- C. VXLAN
- D. MSTP

**Answer: A,C**

**Question No : 6**

You are using IBGP with route reflection in your Clos IP fabric.

Which feature must you enable to allow the route reflector to advertise multiple versions of a route instead of only the best version?

- A. multipath
- B. multihop
- C. AS override
- D. BGP ADD-PATH

**Answer: A**

**Explanation:**

BGP typically selects only one best path for each prefix and installs that route in the routing table. When BGP multipath is enabled, the device selects multiple equal-cost EBGP paths as the best paths to reach a given destination, and all these paths are installed in the routing table. BGP advertises only the active path to its neighbors. However, you can configure BGP to advertise multiple paths to the same destination for redundancy and load balancing.

Reference: [http://www.juniper.net/documentation/en\\_US/junos14.1/topics/topic-map/bgp-multipath.html](http://www.juniper.net/documentation/en_US/junos14.1/topics/topic-map/bgp-multipath.html)

### Question No : 7

You are about to deploy the Cloud Analytics Engine in your data center. However, some of the devices in your data center are not supported by the Cloud Analytics Engine.

In this scenario, which two actions would occur? (Choose two.)

- A. The QFX Series devices report more than the IP address and hop number.
- B. The EX Series devices report more than the IP address and hop number.
- C. The non-Junos devices report more than the IP address and hop number.
- D. The MX Series devices only report the IP address and hop number.

**Answer: B,D**

### Question No : 8

Your customer is receiving inappropriate traffic from a rival corporation which is using a fixed block of IP addresses that they own. No legitimate traffic is exchanged between the two companies. You must secure the customer's network from a potential attack by their rival corporation with the lowest performance impact.

Which network device will allow you to accomplish this task?

- A. edge switch
- B. perimeter router
- C. campus router
- D. perimeter firewall

**Answer: B**

**Question No : 9**

A customer's data center is built with a QFX3000-G composed of four QFX3008-I Interconnects, four QFX5100-48S nodes in the network Node group, and 20 QFX5100-48S nodes spread in 10 redundant server Node groups. There are host systems (FCoE clients) scattered everywhere throughout the data center.

In this scenario, where should the FCoE-to-FC gateway(s) be placed?

- A. QFX3500s must be placed into the network Node group to provide a centralized FC-to-FCoE gateway.
- B. QFX3500s must be placed external to the QFX3000-G to provide an external FC-to-FCoE gateway.
- C. QFX3500s must be placed directly attached to the QFX3008-I Interconnects as a new Fibre Channel Nodegroup to provide a centralized FC-to-FCoE gateway.
- D. Every Node which has FCoE client servers must become its own FC-to-FCoE gateway to provide a distributed FC-to-FCoE gateway.

**Answer: A**

**Question No : 10**

What is an advantage of a Virtual Chassis Fabric (VCF) over a Clos IP fabric?

- A. A VCF has inherent control plane protocols.
- B. A VCF may be upgraded one individual component switch at a time.
- C. A VCF will have greater internal bandwidth than a Clos IP fabric.
- D. A VCF will scale to a larger size than a Clos IP fabric.

**Answer: B**

**Question No : 11**

You are building a Layer 3 Clos data center network using IBGP as the control plane protocol.

What would you use in the spine nodes to accomplish this task?

- A. export route filters
- B. different autonomous system numbers
- C. import route filters
- D. route reflection

**Answer: D**

Reference:<http://www.juniper.net/us/en/local/pdf/whitepapers/2000565-en.pdf>page 10

**Question No : 12**

Your customer has recently upgraded their Data Center Interconnect solution from VPLS to EVPN.

Which two features will the network gain? (Choose two.)

- A. graceful restart
- B. one VLAN for each MAC VPN
- C. a dual-homed PE connection with active/standby multihoming
- D. a dual-homed PE connection with active/active multihoming

**Answer: B,C**

**Explanation:**

The following features are available for EVPNs:

- ✍ Ethernet connectivity between data centers spanning metropolitan area networks (MANs) and WANs
- ✍ One VLAN for each MAC VPN
- ✍ Automatic route distinguishers
- ✍ Dual homed EVPN connection with Active Standby multihoming

Reference: [http://www.juniper.net/documentation/en\\_US/junos15.1/topics/concept/evpns-overview.html](http://www.juniper.net/documentation/en_US/junos15.1/topics/concept/evpns-overview.html)

### Question No : 13

You are deploying Spotlight Secure in the data center. You must determine which protocol will be permitted through the security devices in the management network for Spotlight Secure to work.

In this scenario, which protocol should you permit through the management security devices?

- A. SSH
- B. HTTPS
- C. SFTP
- D. IPsec

**Answer: B**

### Question No : 14

Your customer wants to implement better quality of service for multiple mission critical applications.

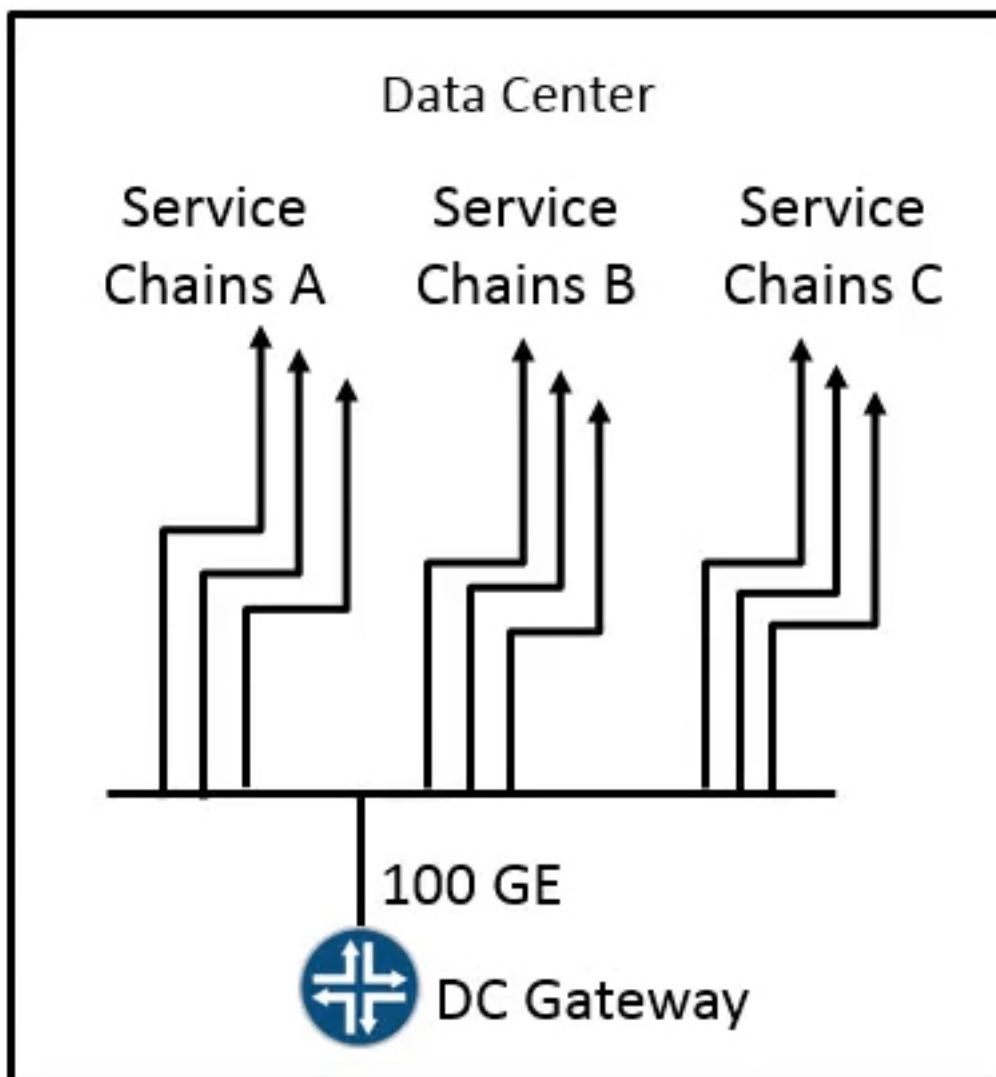
How many bits of the Differentiated Services (DiffServ) field of a packet would be used as code-points to achieve this goal?

- A. eight
- B. two
- C. six
- D. ten

Answer: C

Question No : 15

Click the Exhibit button.



The exhibit shows a data center that terminates all of the service chains into VRFs on the DC Gateway router. However, the DC Gateway router is reaching the limit of VRFs supported. Each service chain uses around 1.5 Gbps of bandwidth.

According to Juniper Networks, what should you recommend to overcome this problem?

A. Deploy MX104s and terminate each service chain in a different VRF on each MX Series device.



- B. Deploy vMXs and terminate each service chain in a different VRF on each vMX.
- C. Deploy SRX240s and terminate each service chain in a different VRF on each SRX Series device.
- D. Deploy vSRXs and terminate each service chain in a different VRF on each vSRX.

**Answer: D**

### Question No : 16

What are three advantages of VCF? (Choose three.)

- A. VCF leaf devices are directly connected to each spine device and offer local switching.
- B. VCF supports a mix of 1GbE, 10GbE, and 40GbE port speeds on the leaf devices.
- C. VCF supports PoE.
- D. VCF has a single point of administration.
- E. VCF supports FC SAN multihop.

**Answer: A,B,D**

#### **Explanation:**

Virtual Chassis Fabric is a plug-and-play Ethernet fabric technology that allows you to combine a set of switches into a single logical switch. A Virtual Chassis Fabric has the following benefits:

- Single point of management
- Supports software-defined networking (SDN) with Virtual Extensible LAN (VXLAN) integration
- Supports Fast Ethernet, Gigabit Ethernet, 10-Gigabit Ethernet, and 40-Gigabit Ethernet interfaces
- Full Layer 2, Layer 3, and multicast support
- Equal-cost multipath (ECMP)
- Scales up to 32 switches

Reference: [https://www.juniper.net/techpubs/en\\_US/release-independent/nce/information-products/pathway-pages/nce/nce-148-metafabric-2.0-configuring.pdf](https://www.juniper.net/techpubs/en_US/release-independent/nce/information-products/pathway-pages/nce/nce-148-metafabric-2.0-configuring.pdf)

### Question No : 17

You want to perform a risk assessment for an asset in your data center.

Which three elements must be considered? (Choose three.)

- A. threat expectancy
- B. single loss expectancy
- C. annualized loss expectancy
- D. exposure factor
- E. asset value

**Answer: B,D,E**

**Question No : 18**

Your customer has expressed interest in the Junos Fusion solution.

Which two devices should be used in the design proposal as satellite devices for this solution? (Choose two.)

- A. EX4300
- B. QFX5100
- C. QFX10002
- D. EX4550

**Answer: A,B**

**Explanation:**

A satellite device:

 Is either a QFX5100 or EX4300 switch.

Reference: [http://www.juniper.net/documentation/en\\_US/junos14.2/topics/concept/fusion-components.html](http://www.juniper.net/documentation/en_US/junos14.2/topics/concept/fusion-components.html)

**Question No : 19**

Click the Exhibit button.

### Microsoft Exams List

<a href="#">70-246 Dump PDF VCE</a>	<a href="#">70-485 Dump PDF VCE</a>	<a href="#">70-742 Dump PDF VCE</a>	<a href="#">98-366 Dump PDF VCE</a>
<a href="#">70-247 Dump PDF VCE</a>	<a href="#">70-486 Dump PDF VCE</a>	<a href="#">70-743 Dump PDF VCE</a>	<a href="#">98-367 Dump PDF VCE</a>
<a href="#">70-331 Dump PDF VCE</a>	<a href="#">70-487 Dump PDF VCE</a>	<a href="#">70-744 Dump PDF VCE</a>	<a href="#">98-368 Dump PDF VCE</a>
<a href="#">70-332 Dump PDF VCE</a>	<a href="#">70-488 Dump PDF VCE</a>	<a href="#">70-761 Dump PDF VCE</a>	<a href="#">98-369 Dump PDF VCE</a>
<a href="#">70-333 Dump PDF VCE</a>	<a href="#">70-489 Dump PDF VCE</a>	<a href="#">70-762 Dump PDF VCE</a>	<a href="#">98-372 Dump PDF VCE</a>
<a href="#">70-334 Dump PDF VCE</a>	<a href="#">70-490 Dump PDF VCE</a>	<a href="#">70-765 Dump PDF VCE</a>	<a href="#">98-373 Dump PDF VCE</a>
<a href="#">70-339 Dump PDF VCE</a>	<a href="#">70-491 Dump PDF VCE</a>	<a href="#">70-768 Dump PDF VCE</a>	<a href="#">98-374 Dump PDF VCE</a>
<a href="#">70-341 Dump PDF VCE</a>	<a href="#">70-492 Dump PDF VCE</a>	<a href="#">70-980 Dump PDF VCE</a>	<a href="#">98-375 Dump PDF VCE</a>
<a href="#">70-342 Dump PDF VCE</a>	<a href="#">70-494 Dump PDF VCE</a>	<a href="#">70-981 Dump PDF VCE</a>	<a href="#">98-379 Dump PDF VCE</a>
<a href="#">70-345 Dump PDF VCE</a>	<a href="#">70-496 Dump PDF VCE</a>	<a href="#">70-982 Dump PDF VCE</a>	<a href="#">MB2-700 Dump PDF VCE</a>
<a href="#">70-346 Dump PDF VCE</a>	<a href="#">70-497 Dump PDF VCE</a>	<a href="#">74-343 Dump PDF VCE</a>	<a href="#">MB2-701 Dump PDF VCE</a>
<a href="#">70-347 Dump PDF VCE</a>	<a href="#">70-498 Dump PDF VCE</a>	<a href="#">74-344 Dump PDF VCE</a>	<a href="#">MB2-702 Dump PDF VCE</a>
<a href="#">70-348 Dump PDF VCE</a>	<a href="#">70-499 Dump PDF VCE</a>	<a href="#">74-409 Dump PDF VCE</a>	<a href="#">MB2-703 Dump PDF VCE</a>
<a href="#">70-354 Dump PDF VCE</a>	<a href="#">70-517 Dump PDF VCE</a>	<a href="#">74-678 Dump PDF VCE</a>	<a href="#">MB2-704 Dump PDF VCE</a>
<a href="#">70-383 Dump PDF VCE</a>	<a href="#">70-532 Dump PDF VCE</a>	<a href="#">74-697 Dump PDF VCE</a>	<a href="#">MB2-707 Dump PDF VCE</a>
<a href="#">70-384 Dump PDF VCE</a>	<a href="#">70-533 Dump PDF VCE</a>	<a href="#">77-420 Dump PDF VCE</a>	<a href="#">MB2-710 Dump PDF VCE</a>
<a href="#">70-385 Dump PDF VCE</a>	<a href="#">70-534 Dump PDF VCE</a>	<a href="#">77-427 Dump PDF VCE</a>	<a href="#">MB2-711 Dump PDF VCE</a>
<a href="#">70-410 Dump PDF VCE</a>	<a href="#">70-640 Dump PDF VCE</a>	<a href="#">77-600 Dump PDF VCE</a>	<a href="#">MB2-712 Dump PDF VCE</a>
<a href="#">70-411 Dump PDF VCE</a>	<a href="#">70-642 Dump PDF VCE</a>	<a href="#">77-601 Dump PDF VCE</a>	<a href="#">MB2-713 Dump PDF VCE</a>
<a href="#">70-412 Dump PDF VCE</a>	<a href="#">70-646 Dump PDF VCE</a>	<a href="#">77-602 Dump PDF VCE</a>	<a href="#">MB2-714 Dump PDF VCE</a>
<a href="#">70-413 Dump PDF VCE</a>	<a href="#">70-673 Dump PDF VCE</a>	<a href="#">77-603 Dump PDF VCE</a>	<a href="#">MB2-715 Dump PDF VCE</a>
<a href="#">70-414 Dump PDF VCE</a>	<a href="#">70-680 Dump PDF VCE</a>	<a href="#">77-604 Dump PDF VCE</a>	<a href="#">MB2-716 Dump PDF VCE</a>
<a href="#">70-417 Dump PDF VCE</a>	<a href="#">70-681 Dump PDF VCE</a>	<a href="#">77-605 Dump PDF VCE</a>	<a href="#">MB2-717 Dump PDF VCE</a>
<a href="#">70-461 Dump PDF VCE</a>	<a href="#">70-682 Dump PDF VCE</a>	<a href="#">77-881 Dump PDF VCE</a>	<a href="#">MB2-718 Dump PDF VCE</a>
<a href="#">70-462 Dump PDF VCE</a>	<a href="#">70-684 Dump PDF VCE</a>	<a href="#">77-882 Dump PDF VCE</a>	<a href="#">MB5-705 Dump PDF VCE</a>
<a href="#">70-463 Dump PDF VCE</a>	<a href="#">70-685 Dump PDF VCE</a>	<a href="#">77-883 Dump PDF VCE</a>	<a href="#">MB6-700 Dump PDF VCE</a>
<a href="#">70-464 Dump PDF VCE</a>	<a href="#">70-686 Dump PDF VCE</a>	<a href="#">77-884 Dump PDF VCE</a>	<a href="#">MB6-701 Dump PDF VCE</a>
<a href="#">70-465 Dump PDF VCE</a>	<a href="#">70-687 Dump PDF VCE</a>	<a href="#">77-885 Dump PDF VCE</a>	<a href="#">MB6-702 Dump PDF VCE</a>
<a href="#">70-466 Dump PDF VCE</a>	<a href="#">70-688 Dump PDF VCE</a>	<a href="#">77-886 Dump PDF VCE</a>	<a href="#">MB6-703 Dump PDF VCE</a>
<a href="#">70-467 Dump PDF VCE</a>	<a href="#">70-689 Dump PDF VCE</a>	<a href="#">77-887 Dump PDF VCE</a>	<a href="#">MB6-704 Dump PDF VCE</a>
<a href="#">70-469 Dump PDF VCE</a>	<a href="#">70-692 Dump PDF VCE</a>	<a href="#">77-888 Dump PDF VCE</a>	<a href="#">MB6-705 Dump PDF VCE</a>
<a href="#">70-470 Dump PDF VCE</a>	<a href="#">70-695 Dump PDF VCE</a>	<a href="#">77-891 Dump PDF VCE</a>	<a href="#">MB6-884 Dump PDF VCE</a>
<a href="#">70-473 Dump PDF VCE</a>	<a href="#">70-696 Dump PDF VCE</a>	<a href="#">98-349 Dump PDF VCE</a>	<a href="#">MB6-885 Dump PDF VCE</a>
<a href="#">70-480 Dump PDF VCE</a>	<a href="#">70-697 Dump PDF VCE</a>	<a href="#">98-361 Dump PDF VCE</a>	<a href="#">MB6-886 Dump PDF VCE</a>
<a href="#">70-481 Dump PDF VCE</a>	<a href="#">70-698 Dump PDF VCE</a>	<a href="#">98-362 Dump PDF VCE</a>	<a href="#">MB6-889 Dump PDF VCE</a>
<a href="#">70-482 Dump PDF VCE</a>	<a href="#">70-734 Dump PDF VCE</a>	<a href="#">98-363 Dump PDF VCE</a>	<a href="#">MB6-890 Dump PDF VCE</a>
<a href="#">70-483 Dump PDF VCE</a>	<a href="#">70-740 Dump PDF VCE</a>	<a href="#">98-364 Dump PDF VCE</a>	<a href="#">MB6-892 Dump PDF VCE</a>
<a href="#">70-484 Dump PDF VCE</a>	<a href="#">70-741 Dump PDF VCE</a>	<a href="#">98-365 Dump PDF VCE</a>	<a href="#">MB6-893 Dump PDF VCE</a>

### Cisco Exams List

<a href="#">010-151 Dump PDF VCE</a>	<a href="#">350-018 Dump PDF VCE</a>	<a href="#">642-737 Dump PDF VCE</a>	<a href="#">650-667 Dump PDF VCE</a>
<a href="#">100-105 Dump PDF VCE</a>	<a href="#">352-001 Dump PDF VCE</a>	<a href="#">642-742 Dump PDF VCE</a>	<a href="#">650-669 Dump PDF VCE</a>
<a href="#">200-001 Dump PDF VCE</a>	<a href="#">400-051 Dump PDF VCE</a>	<a href="#">642-883 Dump PDF VCE</a>	<a href="#">650-752 Dump PDF VCE</a>
<a href="#">200-105 Dump PDF VCE</a>	<a href="#">400-101 Dump PDF VCE</a>	<a href="#">642-885 Dump PDF VCE</a>	<a href="#">650-756 Dump PDF VCE</a>
<a href="#">200-120 Dump PDF VCE</a>	<a href="#">400-151 Dump PDF VCE</a>	<a href="#">642-887 Dump PDF VCE</a>	<a href="#">650-968 Dump PDF VCE</a>
<a href="#">200-125 Dump PDF VCE</a>	<a href="#">400-201 Dump PDF VCE</a>	<a href="#">642-889 Dump PDF VCE</a>	<a href="#">700-001 Dump PDF VCE</a>
<a href="#">200-150 Dump PDF VCE</a>	<a href="#">400-251 Dump PDF VCE</a>	<a href="#">642-980 Dump PDF VCE</a>	<a href="#">700-037 Dump PDF VCE</a>
<a href="#">200-155 Dump PDF VCE</a>	<a href="#">400-351 Dump PDF VCE</a>	<a href="#">642-996 Dump PDF VCE</a>	<a href="#">700-038 Dump PDF VCE</a>
<a href="#">200-310 Dump PDF VCE</a>	<a href="#">500-006 Dump PDF VCE</a>	<a href="#">642-997 Dump PDF VCE</a>	<a href="#">700-039 Dump PDF VCE</a>
<a href="#">200-355 Dump PDF VCE</a>	<a href="#">500-007 Dump PDF VCE</a>	<a href="#">642-998 Dump PDF VCE</a>	<a href="#">700-101 Dump PDF VCE</a>
<a href="#">200-401 Dump PDF VCE</a>	<a href="#">500-051 Dump PDF VCE</a>	<a href="#">642-999 Dump PDF VCE</a>	<a href="#">700-104 Dump PDF VCE</a>
<a href="#">200-601 Dump PDF VCE</a>	<a href="#">500-052 Dump PDF VCE</a>	<a href="#">644-066 Dump PDF VCE</a>	<a href="#">700-201 Dump PDF VCE</a>
<a href="#">210-060 Dump PDF VCE</a>	<a href="#">500-170 Dump PDF VCE</a>	<a href="#">644-068 Dump PDF VCE</a>	<a href="#">700-205 Dump PDF VCE</a>
<a href="#">210-065 Dump PDF VCE</a>	<a href="#">500-201 Dump PDF VCE</a>	<a href="#">644-906 Dump PDF VCE</a>	<a href="#">700-260 Dump PDF VCE</a>
<a href="#">210-250 Dump PDF VCE</a>	<a href="#">500-202 Dump PDF VCE</a>	<a href="#">646-048 Dump PDF VCE</a>	<a href="#">700-270 Dump PDF VCE</a>
<a href="#">210-255 Dump PDF VCE</a>	<a href="#">500-254 Dump PDF VCE</a>	<a href="#">646-365 Dump PDF VCE</a>	<a href="#">700-280 Dump PDF VCE</a>
<a href="#">210-260 Dump PDF VCE</a>	<a href="#">500-258 Dump PDF VCE</a>	<a href="#">646-580 Dump PDF VCE</a>	<a href="#">700-281 Dump PDF VCE</a>
<a href="#">210-451 Dump PDF VCE</a>	<a href="#">500-260 Dump PDF VCE</a>	<a href="#">646-671 Dump PDF VCE</a>	<a href="#">700-295 Dump PDF VCE</a>
<a href="#">210-455 Dump PDF VCE</a>	<a href="#">500-265 Dump PDF VCE</a>	<a href="#">646-985 Dump PDF VCE</a>	<a href="#">700-501 Dump PDF VCE</a>
<a href="#">300-070 Dump PDF VCE</a>	<a href="#">500-275 Dump PDF VCE</a>	<a href="#">648-232 Dump PDF VCE</a>	<a href="#">700-505 Dump PDF VCE</a>
<a href="#">300-075 Dump PDF VCE</a>	<a href="#">500-280 Dump PDF VCE</a>	<a href="#">648-238 Dump PDF VCE</a>	<a href="#">700-601 Dump PDF VCE</a>
<a href="#">300-080 Dump PDF VCE</a>	<a href="#">500-285 Dump PDF VCE</a>	<a href="#">648-244 Dump PDF VCE</a>	<a href="#">700-602 Dump PDF VCE</a>
<a href="#">300-085 Dump PDF VCE</a>	<a href="#">500-290 Dump PDF VCE</a>	<a href="#">648-247 Dump PDF VCE</a>	<a href="#">700-603 Dump PDF VCE</a>
<a href="#">300-101 Dump PDF VCE</a>	<a href="#">500-801 Dump PDF VCE</a>	<a href="#">648-375 Dump PDF VCE</a>	<a href="#">700-701 Dump PDF VCE</a>
<a href="#">300-115 Dump PDF VCE</a>	<a href="#">600-199 Dump PDF VCE</a>	<a href="#">648-385 Dump PDF VCE</a>	<a href="#">700-702 Dump PDF VCE</a>
<a href="#">300-135 Dump PDF VCE</a>	<a href="#">600-210 Dump PDF VCE</a>	<a href="#">650-032 Dump PDF VCE</a>	<a href="#">700-703 Dump PDF VCE</a>
<a href="#">300-160 Dump PDF VCE</a>	<a href="#">600-211 Dump PDF VCE</a>	<a href="#">650-042 Dump PDF VCE</a>	<a href="#">700-801 Dump PDF VCE</a>
<a href="#">300-165 Dump PDF VCE</a>	<a href="#">600-212 Dump PDF VCE</a>	<a href="#">650-059 Dump PDF VCE</a>	<a href="#">700-802 Dump PDF VCE</a>
<a href="#">300-180 Dump PDF VCE</a>	<a href="#">600-455 Dump PDF VCE</a>	<a href="#">650-082 Dump PDF VCE</a>	<a href="#">700-803 Dump PDF VCE</a>
<a href="#">300-206 Dump PDF VCE</a>	<a href="#">600-460 Dump PDF VCE</a>	<a href="#">650-127 Dump PDF VCE</a>	<a href="#">810-403 Dump PDF VCE</a>
<a href="#">300-207 Dump PDF VCE</a>	<a href="#">600-501 Dump PDF VCE</a>	<a href="#">650-128 Dump PDF VCE</a>	<a href="#">820-424 Dump PDF VCE</a>
<a href="#">300-208 Dump PDF VCE</a>	<a href="#">600-502 Dump PDF VCE</a>	<a href="#">650-148 Dump PDF VCE</a>	<a href="#">840-425 Dump PDF VCE</a>
<a href="#">300-209 Dump PDF VCE</a>	<a href="#">600-503 Dump PDF VCE</a>	<a href="#">650-159 Dump PDF VCE</a>	
<a href="#">300-210 Dump PDF VCE</a>	<a href="#">600-504 Dump PDF VCE</a>	<a href="#">650-281 Dump PDF VCE</a>	
<a href="#">300-320 Dump PDF VCE</a>	<a href="#">640-692 Dump PDF VCE</a>	<a href="#">650-393 Dump PDF VCE</a>	
<a href="#">300-360 Dump PDF VCE</a>	<a href="#">640-875 Dump PDF VCE</a>	<a href="#">650-472 Dump PDF VCE</a>	
<a href="#">300-365 Dump PDF VCE</a>	<a href="#">640-878 Dump PDF VCE</a>	<a href="#">650-474 Dump PDF VCE</a>	
<a href="#">300-370 Dump PDF VCE</a>	<a href="#">640-911 Dump PDF VCE</a>	<a href="#">650-575 Dump PDF VCE</a>	
<a href="#">300-375 Dump PDF VCE</a>	<a href="#">640-916 Dump PDF VCE</a>	<a href="#">650-621 Dump PDF VCE</a>	
<a href="#">300-465 Dump PDF VCE</a>	<a href="#">642-035 Dump PDF VCE</a>	<a href="#">650-663 Dump PDF VCE</a>	
<a href="#">300-470 Dump PDF VCE</a>	<a href="#">642-732 Dump PDF VCE</a>	<a href="#">650-665 Dump PDF VCE</a>	
<a href="#">300-475 Dump PDF VCE</a>	<a href="#">642-747 Dump PDF VCE</a>	<a href="#">650-754 Dump PDF VCE</a>	

## HOT EXAMS

### Cisco

[100-105 Dumps VCE PDF](#)  
[200-105 Dumps VCE PDF](#)  
[300-101 Dumps VCE PDF](#)  
[300-115 Dumps VCE PDF](#)  
[300-135 Dumps VCE PDF](#)  
[300-320 Dumps VCE PDF](#)  
[400-101 Dumps VCE PDF](#)  
[640-911 Dumps VCE PDF](#)  
[640-916 Dumps VCE PDF](#)

### Microsoft

[70-410 Dumps VCE PDF](#)  
[70-411 Dumps VCE PDF](#)  
[70-412 Dumps VCE PDF](#)  
[70-413 Dumps VCE PDF](#)  
[70-414 Dumps VCE PDF](#)  
[70-417 Dumps VCE PDF](#)  
[70-461 Dumps VCE PDF](#)  
[70-462 Dumps VCE PDF](#)  
[70-463 Dumps VCE PDF](#)  
[70-464 Dumps VCE PDF](#)  
[70-465 Dumps VCE PDF](#)  
[70-480 Dumps VCE PDF](#)  
[70-483 Dumps VCE PDF](#)  
[70-486 Dumps VCE PDF](#)  
[70-487 Dumps VCE PDF](#)

### CompTIA

[220-901 Dumps VCE PDF](#)  
[220-902 Dumps VCE PDF](#)  
[N10-006 Dumps VCE PDF](#)  
[SY0-401 Dumps VCE PDF](#)