



Vendor: HP

Exam Code: HP2-T25

Exam Name: Servicing HP Rack-Tower Server Solutions

Version: Demo

QUESTION 1

Which type of memory is used on the Smart Array controller cache?

- A. SDRAM
- B. SRAM
- C. RDRAM
- D. DRAM

Correct Answer: D

QUESTION 2

Which statement is correct about the HP iLO Management Engine?

- A. The health driver (agent management) is the only tool for SIM to collect server information from the iLO Management Engine.
- B. Intelligent Provisioning is one of the major features residing in the iLO Management Engine.
- C. The Active Health feature in the iLO Management Engine does not monitor hardware.
- D. It does not apply to ProLiant 100 G8 series.

Correct Answer: B

QUESTION 3

Which LED is a new feature for the 6 GB SATA disk drive in Gen8 servers?

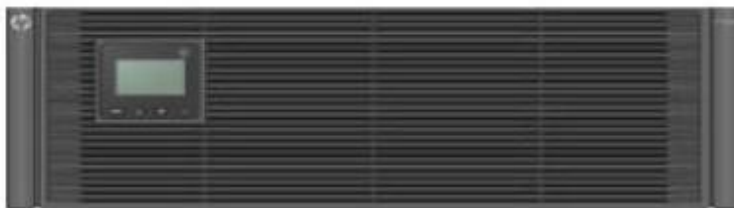
- A. Configuration
- B. Activity
- C. Do Not Remove
- D. Unit

Correct Answer: C

QUESTION 4

CORRECT TEXT

Match the correct UPS description with each picture.



R7000
RP36000/3
R8000/3
R/T2200 G2
R1500 G3
R5500
T1000 G3



R7000
RP36000/3
R8000/3
R/T2200 G2
R1500 G3
R5500
T1000 G3



R7000
RP36000/3
R8000/3
R/T2200 G2
R1500 G3
R5500
T1000 G3



R7000
RP36000/3
R8000/3
R/T2200 G2
R1500 G3
R5500
T1000 G3

Correct Answer:

Figure- 1 - R7000

Figure- 2 - R8000/3

Figure- 3 - R1500 G3

Figure-4 - R1000 G3

QUESTION 5

Which hardware-based system security feature can securely store information, such as passwords and encryption keys, and can be used to authenticate the platform?

- A. TPM
- B. DHCP
- C. RBSU
- D. ORCA

Correct Answer: A

QUESTION 6

What is the term that describes the full backup typically performed by a system administrator every week?

- A. grandfather, father, son
- B. fathers
- C. grandmothers
- D. sons

Correct Answer: A

QUESTION 7

Which tool should you use to configure an MSA2312FC?

- A. Option ROM Configuration for Arrays
- B. Array Configuration Utility
- C. Array Diagnostic Utility
- D. Storage Management Utility
- E. Intelligent Provisioning

Correct Answer: B

QUESTION 8

Which RAID level allows the data to be striped across multiple RAIDs? (Select two.)

- A. RAID 0
- B. RAID 1
- C. RAID 5
- D. RAID 50
- E. RAID 60

Correct Answer: AD

QUESTION 9

Which key must you press to access the Intelligence Provisioning Maintenance Menu?

- A. F9
- B. F10

- C. F11
- D. F12

Correct Answer: B

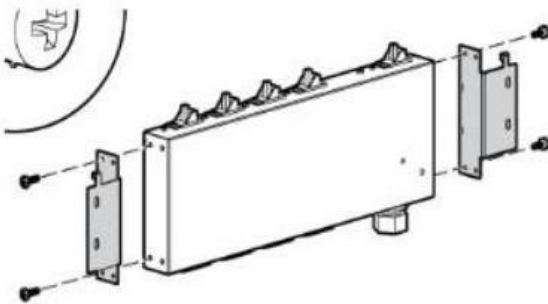
QUESTION 10

CORRECT TEXT

Match the correct description to each image.



- Monitored PDU
- iPDU core
- iPDU display
- iPDU intelligent extension bar
- Modular PDU
- Power Distribution Rack



- Monitored PDU
- iPDU core
- iPDU display
- iPDU intelligent extension bar
- Modular PDU
- Power Distribution Rack



- Monitored PDU
- iPDU core
- iPDU display
- iPDU intelligent extension bar
- Modular PDU
- Power Distribution Rack



- Monitored PDU
- iPDU core
- iPDU display
- iPDU intelligent extension bar
- Modular PDU
- Power Distribution Rack

Correct Answer:

Figure-1 - iPDU intelligent extension bar

Figure-2 - power distribution rack

Figure-3 - iPDU core

Figure-4 - Modular PDU

QUESTION 11

Which RAID level is known as Advance Data Guarding (ADG)?

- A. RAID 1
- B. RAID 5
- C. RAID 6
- D. RAID 10

Correct Answer: C

QUESTION 12

What is achieved on ProLiant Gen8 Servers by including temperature sensors on stand-up components within the server (3D Sea of Sensors)?

- A. Cooling fans on stand-up components only run at 50% utilization.
- B. It provides more precise and more efficient cooling.
- C. It requires half the number of fans than in previous server models.
- D. Dedicated cooling fans are included on all stand-up components.

Correct Answer: B

QUESTION 13

Which statements are correct about SIM 7.0 Agentless Management? (Select two.)

- A. HP SIM communicates with the CPU and collects essential data for the OS.
- B. Agentless Management Service runs on the host to provide software information directly to the iLO Management Engine.
- C. HP SIM communicates with the iLO Management Engine to collect hardware data.
- D. Agentless Management is provided by the CPU.

Correct Answer: BC

QUESTION 14

Which statements are correct about the ProLiant warranty service level agreement? (Select two.)

- A. A travel and labor charge applies when customers decline to replace an optional CSR part.
- B. A travel and labor charge does not apply when customers decline to replace an optional CSR part.
- C. A travel and labor charge applies when customers decline to replace a mandatory CSR part.
- D. A travel and labor charge does not apply when customers decline to replace a mandatory CSR part.

Correct Answer: BC

QUESTION 15

What does incremental backup do?

- A. copies all files that were changed after the last full backup
- B. backs up all files
- C. backs up without resetting the archive bit
- D. copies all files that were changed since the last complete backup and resets the archive bit

Correct Answer: D

EnsurePass.com Members Features:

1. Verified Answers researched by industry experts.
2. Q&As are downloadable in PDF and VCE format.
3. 98% success Guarantee and **Money Back** Guarantee.
4. Free updates for **180 Days**.
5. **Instant Access to download the Items**

View list of All Exam provided:

<http://www.ensurepass.com/certifications?index=A>

To purchase Lifetime Full Access Membership click here:

<http://www.ensurepass.com/user/register>

Valid Discount Code for 2015: JREH-G1A8-XHC6

To purchase the HOT Exams:

<u>Cisco</u>		<u>CompTIA</u>		<u>Oracle</u>	<u>VMWare</u>	<u>IBM</u>
<u>100-101</u>	<u>640-554</u>	<u>220-801</u>	<u>LX0-101</u>	<u>1Z0-051</u>	<u>VCAD510</u>	<u>C2170-011</u>
<u>200-120</u>	<u>200-101</u>	<u>220-802</u>	<u>N10-005</u>	<u>1Z0-052</u>	<u>VCP510</u>	<u>C2180-319</u>
<u>300-206</u>	<u>640-911</u>	<u>BR0-002</u>	<u>SG0-001</u>	<u>1Z0-053</u>	<u>VCP550</u>	<u>C4030-670</u>
<u>300-207</u>	<u>640-916</u>	<u>CAS-001</u>	<u>SG1-001</u>	<u>1Z0-060</u>	<u>VCAC510</u>	<u>C4040-221</u>
<u>300-208</u>	<u>640-864</u>	<u>CLO-001</u>	<u>SK0-003</u>	<u>1Z0-474</u>	<u>VCP5-DCV</u>	<u>RedHat</u>
<u>350-018</u>	<u>642-467</u>	<u>ISS-001</u>	<u>SY0-301</u>	<u>1Z0-482</u>	<u>VCP510PSE</u>	<u>EX200</u>
<u>352-001</u>	<u>642-813</u>	<u>JK0-010</u>	<u>SY0-401</u>	<u>1Z0-485</u>		<u>EX300</u>
<u>400-101</u>	<u>642-832</u>	<u>JK0-801</u>	<u>PK0-003</u>	<u>1Z0-580</u>		
<u>640-461</u>	<u>642-902</u>			<u>1Z0-820</u>		

