



**Exam Code:** HP0-045

**Exam Name:** Supporting the ESL E-Series Libraries

**Vendor:** HP

**Version:** DEMO

## Part: A

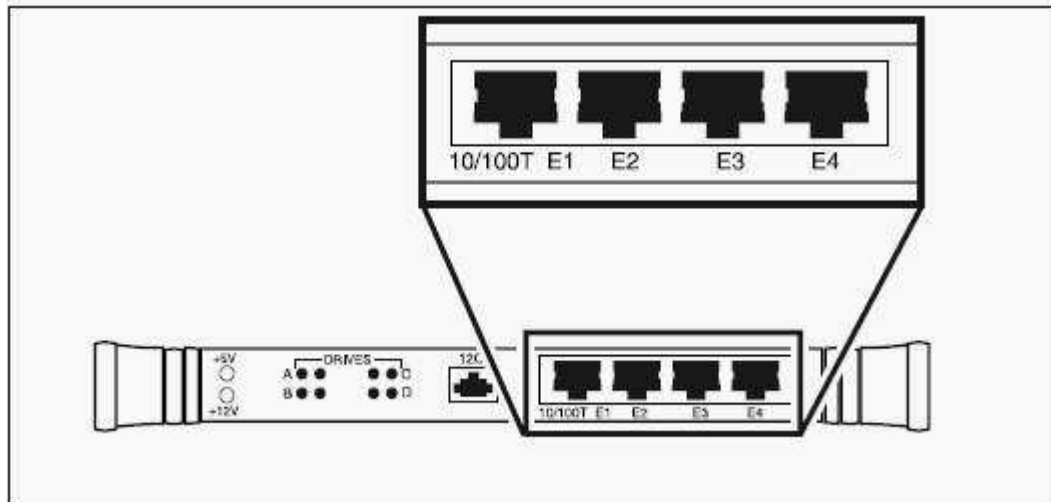
1: What is required to access the Advanced Secure Manager features in Command View ESL?

- A.the appropriate license key
- B.valid user access permissions
- C.a special administrator password
- D.a suitable advanced user account

**Correct Answers: A**

2: Click the Exhibit button.

Which component is connected to port E1 of the cluster controller if it is in drive cluster 0?



- A.cabinet controller
- B.interface controller
- C.lower cluster controller
- D.Interface Manager card

**Correct Answers: A**

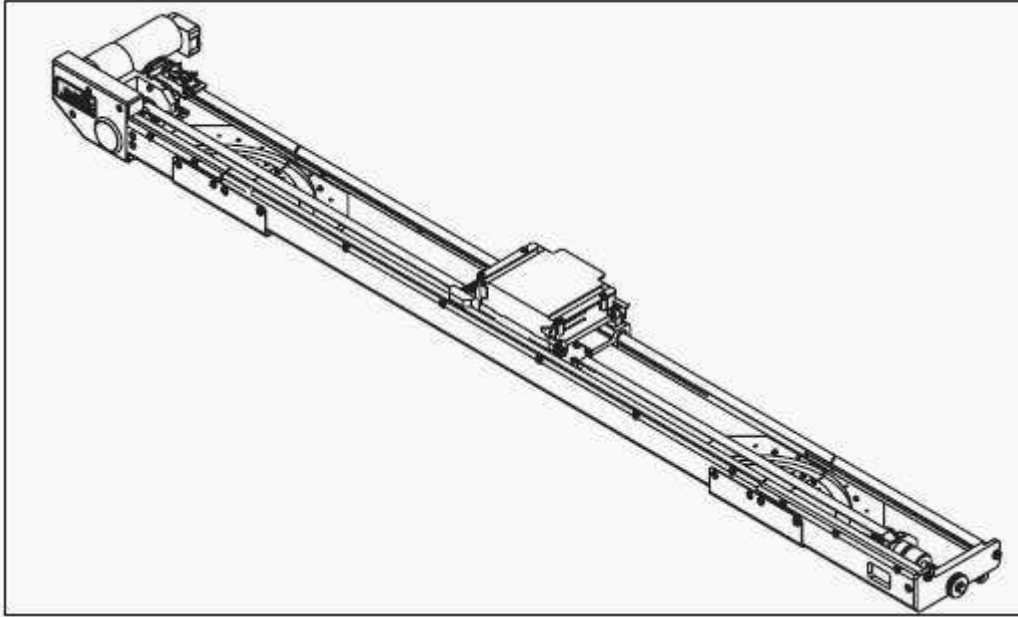
3: What does the OCP display when a library hangs because there are more than one hundred unlabeled tape cartridges in the library?

- A.Error 22
- B.Please wait
- C.Going on line
- D.Inventory failure

**Correct Answers: C**

4: Click the Exhibit button.

Which tape library component (used to carry data cartridges to a secondary cabinet) is shown on the figure?



- A. CLM arm
- B. CLM controller
- C. picker assembly
- D. cartridge transfer robot

**Correct Answers: A**

5: Which scheme is used in the command line interface for drive and slot numbers in ESL E-Series tape libraries?

- A. 0 based
- B. 1 based
- C. 2 based
- D. Hex based

**Correct Answers: B**

6: Which port number is required when starting a Command View TL session?

- A. 2301
- B. 4095
- C. 4444
- D. 5555

**Correct Answers: B**

7: You are performing a firmware upgrade using Command View TL and a Telnet session terminates it prematurely. What is the most likely outcome?

- A. The Telnet session is automatically aborted.
- B. Telnet automatically aborts the other session, but the upgrade continues.
- C. Command View TL takes precedence and continues the firmware upgrade.
- D. The firmware upgrade aborts and the device being upgraded may need physical repair.

**Correct Answers: D**

8: What does the cabinet controller assembly of an ESL E-Series tape library provide a SCSI interface to?

- A.tape devices
- B.library robotics
- C.management interface card
- D.e2400-160 Interface Controller

**Correct Answers: B**

9: Which capabilities of a TCP/IP connection are delivered by the Simple Internet Protocol Plus (SIPP)?

- A.small packets and ECC
- B.error handling and retries
- C.increased bandwidth and performance
- D.faster command propagation on inexpensive copper interconnect

**Correct Answers: B**

10: For which connection, other than the cabinet controller, is the I2C network cable used?

- A.external LANs
- B.cluster controllers
- C.interface management cards
- D.Fibre Channel interface controllers

**Correct Answers: B**

11: Which tape device attribute does the Interface Manager use to determine the physical location of each tape drive in the library?

- A.bus number
- B.SCSI address
- C.serial number
- D.drive slot position

**Correct Answers: C**

12: How often is the Command View TL Health Summary screen updated?

- A.every 30 seconds
- B.at 15 minute intervals
- C.whenever the library status changes
- D.configurable to any value up to 900 seconds

**Correct Answers: C**

13: Which ESL E-Series tape library operations require Command View TL?

- A.Licensing and Interface Manager configuration
- B.Basic and Advanced Secure Manager configuration
- C.Licensing and Advanced Secure Manager configuration
- D.Interface Manager and Advanced Secure Manager configuration

**Correct Answers: C**

14: Identify the default username and password for the Interface Manager command line interface of an ESL E-Series tape library.

A.root, pwd

B.cliadmin, clipwd

C.admin, password

D.administrator, administrator

**Correct Answers: B**

15: What is connected to the cluster controller card by the drive cluster Ethernet cables of an ESL E-Series tape library?

A.cabinet controller

B.robotics controller

C.local area network

D.internal private network

**Correct Answers: D**