



Exam Code: 920-552

Exam Name: GSM BSS Operations and Maintenance

Vendor: Nortel

Version: DEMO

Part: A

1: Refer to the exhibit that appears below.

What is the meaning of the icon in the exhibit?



- A. An antistatic bracelet (ESDS) must be worn.
- B. Gloves are recommended (high temperature).
- C. A power supply should never be replaced when it is energized (electric shock).
- D. Personnel must be authorized to work, according to the local safety standards.

Correct Answers: A

2: In which NTP volume can you find the information about the replacement of a specific module in a GSM Base Transceiver Station (BTS) 18020?

- A. 411-9001-161 BTS 18000 Fault Clearing
- B. 411-9001-160 BTS 18000 Fundamentals
- C. 411-9001-162 BTS 18000 Troubleshooting
- D. 411-9001-051 TML (BTS) Commissioning and Fault management

Correct Answers: C

3: Which function is NOT a function of the Base Transceiver Station (BTS) site manager?

- A. GSM Time management
- B. TX and RX management
- C. Abis interface management
- D. LAPD signaling concentration / deconcentration

Correct Answers: B

4: What is the maximum power generated by a RM 1900?

- A. GSM 30 W - EDGE 30 W
- B. GSM 40 W - EDGE 30 W
- C. GSM 40 W - EDGE 40 W
- D. GSM 60 W - EDGE 45 W

Correct Answers: A

5: What is the maximum number of TRXs in a three-cabinet GSM Base Transceiver Station (BTS) 18020 using MPRM modules?

- A. 6
- B. 9
- C. 18
- D. 54

Correct Answers: D

6: What is the maximum configuration of the GSM Base Transceiver Station (BTS) 18000 using HPRM modules in V16.0?

- A.3S6.6.6
- B.3S16.16.16
- C.3S18.18.18
- D.3S12.12.12

Correct Answers: D

7: What is the meaning of the S111 working mode in a RM module?

- A.three TRXs of the RM belong to the same sector
- B.three TRXs of the RM belong to three different sectors
- C.three TRXs of the RM belong to the same frequency band
- D.three TRXs of the RM belong to three different frequency bands

Correct Answers: B

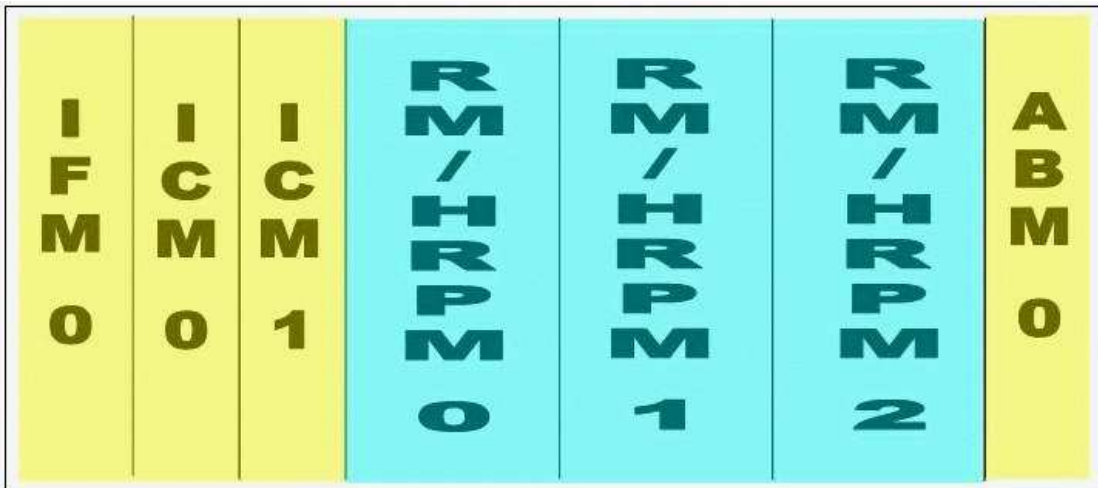
8: How many reception paths are needed in a Radio Module (RM) configured in O3 mode?

- A.it depends on the cabling of the DDM
- B.it depends on the configuration of the sector
- C.one main and one diversity path for all TRXs
- D.one main and one diversity path for each TRXs

Correct Answers: C

9: Refer to the exhibit that appears below.

In which configuration of a GSM Base Transceiver Station (BTS) 18000 can two ICM boards reside in a single shelf?

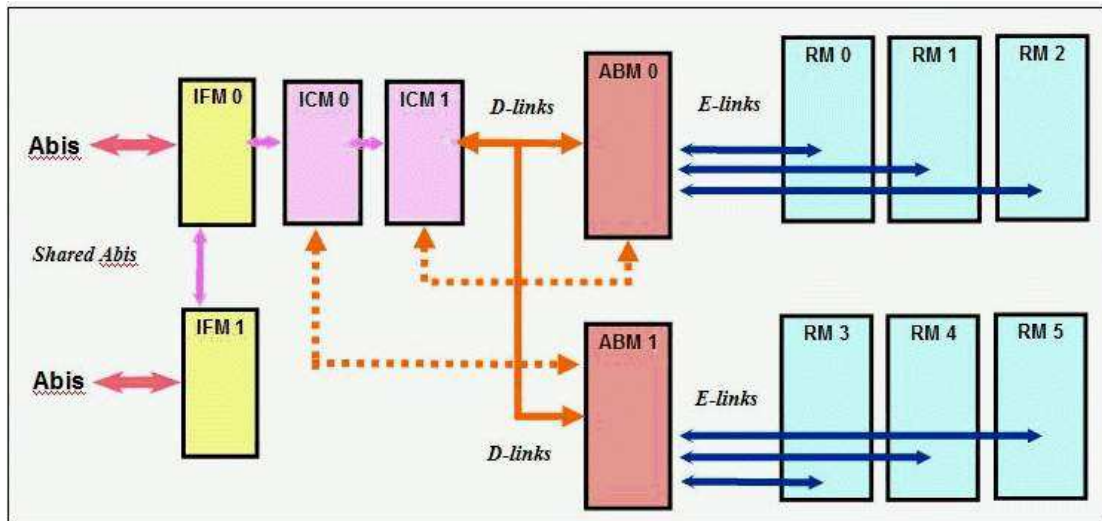


- A.a GSM BTS 18000 with IBP panel
- B.a GSM BTS 18000 with DBP panel
- C.a GSM BTS 18000 with CIBP panel
- D.a GSM BTS 18000 with CDBP panel

Correct Answers: C

10: Refer to the exhibit that appears below.

What are the cabling problems in the GSM Base Transceiver Station (BTS) 18000?



A. The IFM1 should be directly connected to ICM0.

B. The Abis should be directly connected to the ICM.

C. The E-link should be between the ICM and the ABM.

D. The ICM0 and ICM1 should be connected to ABM0 and ABM1 respectively.

Correct Answers: D