

Cisco ICND1 640-822 Exam



Vendor : Cisco

Exam Code: 640-822

**Exam Name: Interconnecting Cisco Networking Devices
Part 1**

Version: Demo

QUESTION 1

Which OSI layer header contains the address of a destination host that is on another network?

- A. application
- B. session
- C. transport
- D. network
- E. data link
- F. physical

Answer: D

QUESTION 2

How does TCP differ from UDP? (Choose two.)

- A. TCP provides best effort delivery.
- B. TCP provides synchronized communication.
- C. TCP segments are essentially datagrams.
- D. TCP provides sequence numbering of packets.
- E. TCP uses broadcast delivery.

Answer: BD

QUESTION 3

Which protocol uses a connection-oriented service to deliver files between end systems?

- A. TFTP
- B. DNS
- C. FTP
- D. SNMP
- E. RIP

Answer: C

QUESTION 4

Refer to the exhibit. A network technician is unable to ping from R1 to R2. What will help correct the problem?

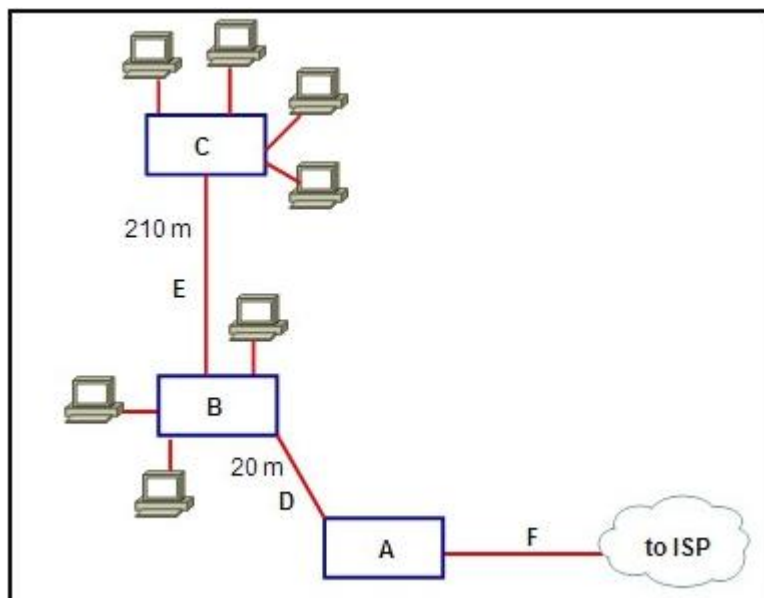
```
R1#sh int ser0/1
Serial0/1 is up, line protocol is down
Hardware is GT96K Serial
Internet address is 192.1.1.1/30
MTU 1500 bytes, BW 1544 Kbit/sec, DLY 20000 usec,
  reliability 255/255, txload 1/255, rxload 1/255
Encapsulation HDLC, loopback not set
Keepalive set (10 sec)
R2#sh int serial 0/1
Serial0/1 is up, line protocol is down
Hardware is GT96K Serial
Internet address is 192.1.1.2/30
MTU 1500 bytes, BW 1544 Kbit/sec, DLY 20000 usec,
  reliability 255/255, txload 1/255, rxload 1/255
Encapsulation HDLC, loopback not set
Keepalive set (10 sec)
```

- A. Ensure that the serial cable is correctly plugged in to the interfaces.
- B. Apply the clock rate 56000 configuration command to the serial0/1 interface of R1.
- C. Configure the serial0/1 interfaces on R1 and R2 with the no shutdown command.
- D. Change the address of the serial0/1 interface of R1 to 192.1.1.4.
- E. Change the subnet masks of both interfaces to 255.255.255.240.

Answer: A

QUESTION 5

Refer to the exhibit. Which types of devices and connections are needed to complete the LAN for optimal performance and cost efficiency?



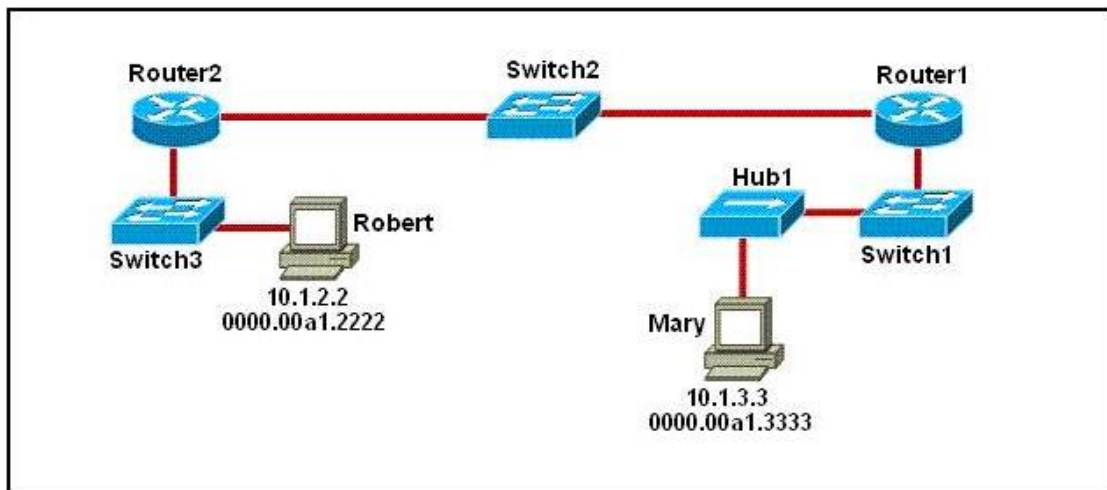
- A. router

- hub
 - switch
 - UTP cable
 - fiber connection
 - fiber connection
- B. switch
- switch
 - switch
 - UTP cable
 - fiber connection
 - T-1 connection
- C. router
- switch
 - router
 - fiber connection
 - Cat5 cable
 - T-1 connection
- D. router
- switch
 - switch
 - UTP cable
 - fiber connection
 - T-1 connection
- E. router
- hub
 - switch
 - fiber cable
 - cat5 cable
 - T-1 connection

Answer: D

QUESTION 6

Refer to the exhibit. As packets travel from Mary to Robert, which three devices will use the destination MAC address of the packet to determine a forwarding path? (Choose three.)

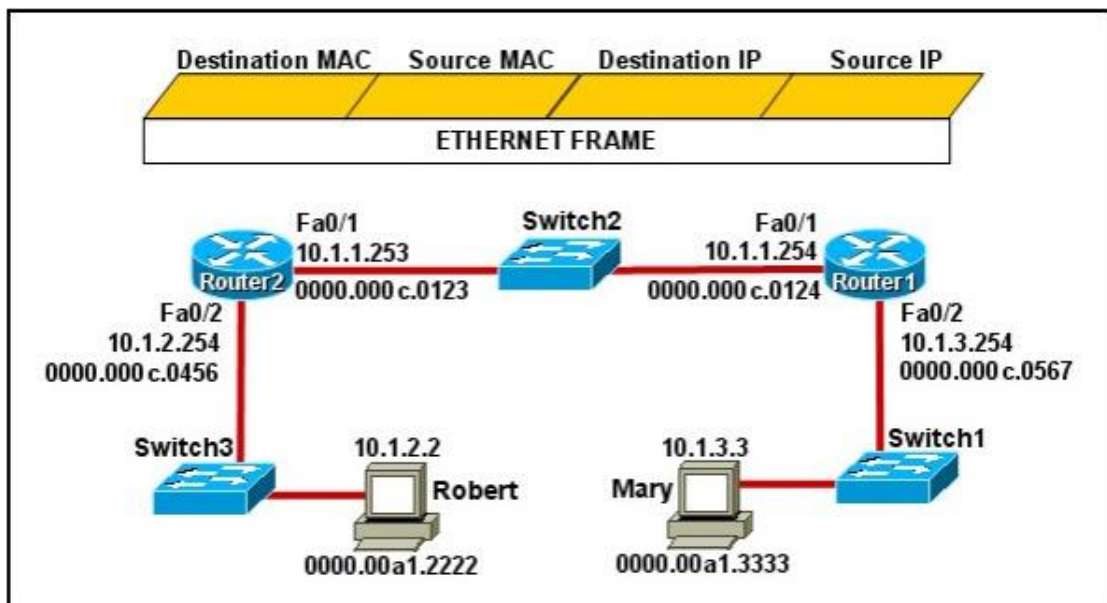


- A. Hub1
- B. Switch1
- C. Router1
- D. Switch2
- E. Router2
- F. Switch3

Answer: BDF

QUESTION 7

Refer to the exhibit. Mary is sending an instant message to Robert. The message will be broken into a series of packets that will traverse all network devices. What addresses will populate these packets as they are forwarded from Router1 to Router2?



A.

Destination MAC	Source MAC	Destination IP	Source IP
0000.00a1.2222	0000.00a1.3333	10.1.2.2	10.1.3.3

B.

Destination MAC	Source MAC	Destination IP	Source IP
0000.000c.0123	0000.000c.0124	10.1.2.2	10.1.3.3

C.

Destination MAC	Source MAC	Destination IP	Source IP
0000.000c.0123	0000.000c.0124	10.1.1.253	10.1.1.254

D.

Destination MAC	Source MAC	Destination IP	Source IP
0000.00a1.2222	0000.00a1.3333	10.1.1.253	10.1.1.254

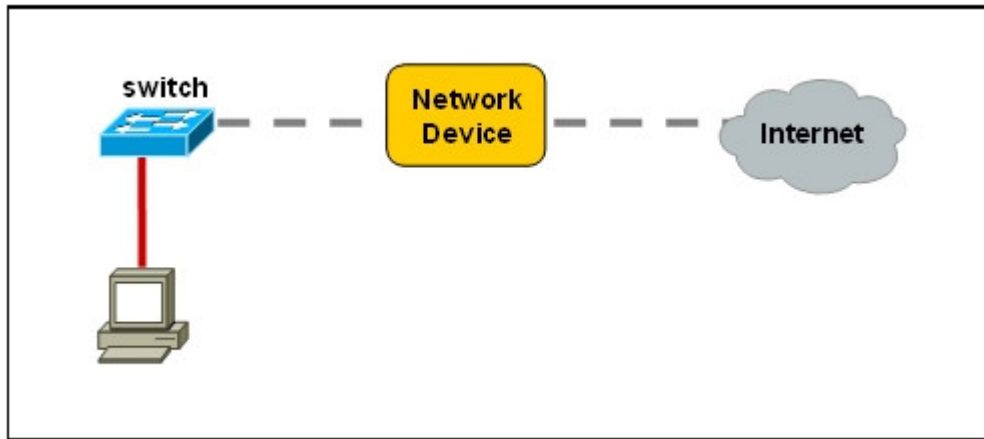
E.

Destination MAC	Source MAC	Destination IP	Source IP
0000.000c.0456	0000.000c.0567	10.1.2.2	10.1.3.3

Answer: B

QUESTION 8

Refer to the exhibit. A network device needs to be installed in the place of the icon labeled Network Device to accommodate a leased line attachment to the Internet. Which network device and interface configuration meets the minimum requirements for this installation?



- A. a router with two Ethernet interfaces
- B. a switch with two Ethernet interfaces
- C. a router with one Ethernet and one serial interface
- D. a switch with one Ethernet and one serial interface
- E. a router with one Ethernet and one modem interface

Answer: C

QUESTION 9

What technology should be used when a router that connects to a LAN has only one WAN interface, but multiple virtual circuits are needed?

- A. ATM
- B. DSL
- C. ADSL
- D. Cable
- E. Frame Relay

Answer: E

QUESTION 10

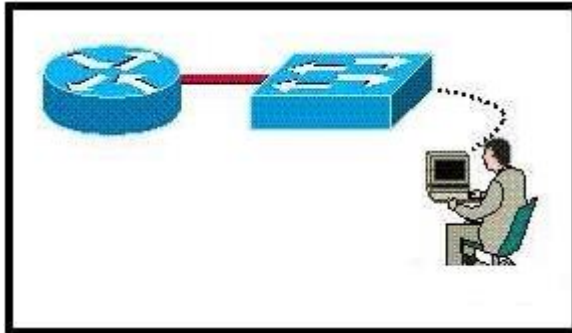
The network manager states, "The only UDP port allowed on this router interface is 53." From the statement, what can be concluded about traffic on the router interface?

- A. DNS traffic is allowed.
- B. RIP traffic is allowed.
- C. SMTP traffic is allowed.
- D. Telnet traffic is allowed.

Answer: A

QUESTION 11

SW-C has just been added to the network shown in the graphic. What is the purpose of assigning a default gateway to this switch?

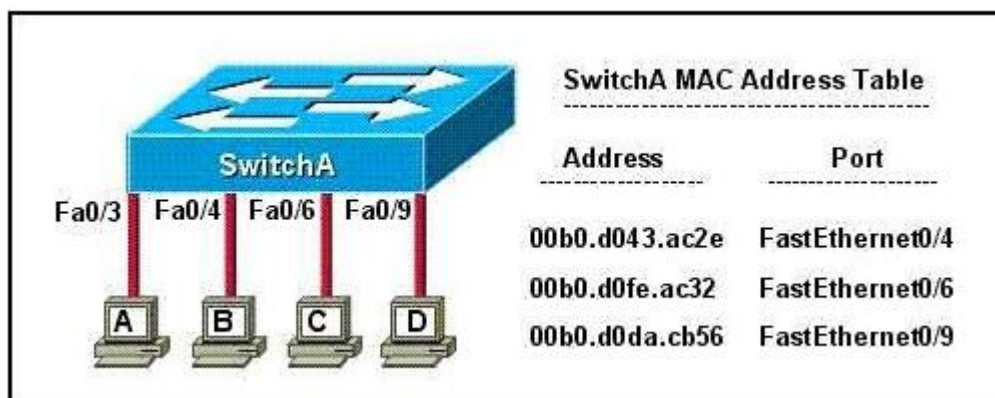


- A. allows connectivity to Router B from the switch prompt
- B. allows console port connectivity to the switch from Host A
- C. allows connectivity to remote network devices from Host B
- D. allows the switch to pass traffic between Host A and Host B

Answer: A

QUESTION 12

Refer to the topology and MAC address table shown in the exhibit. Host A sends a data frame to host D. What will the switch do when it receives the frame from host A?



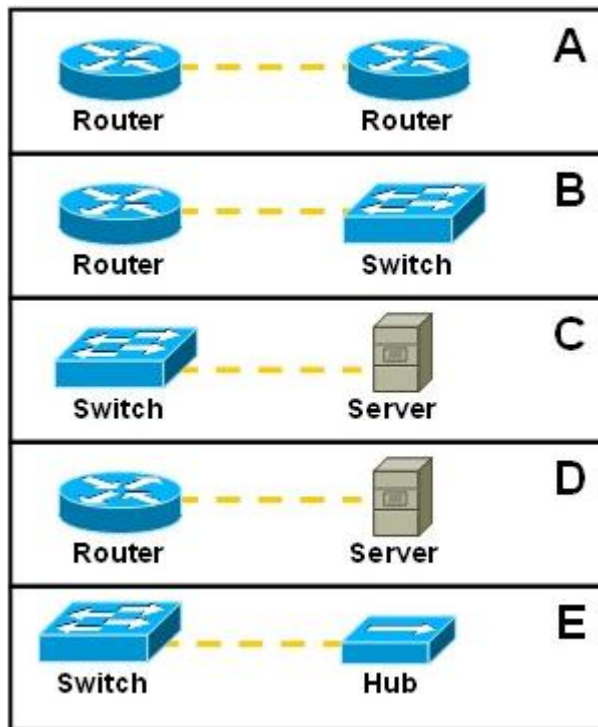
- A. The switch will add the source address and port to the MAC address table and forward the frame to host D.
- B. The switch will discard the frame and send an error message back to host A.
- C. The switch will flood the frame out of all ports except for port Fa0/3.
- D. The switch will add the destination address of the frame to the MAC address table and

forward the frame to host D.

Answer: A

QUESTION 13

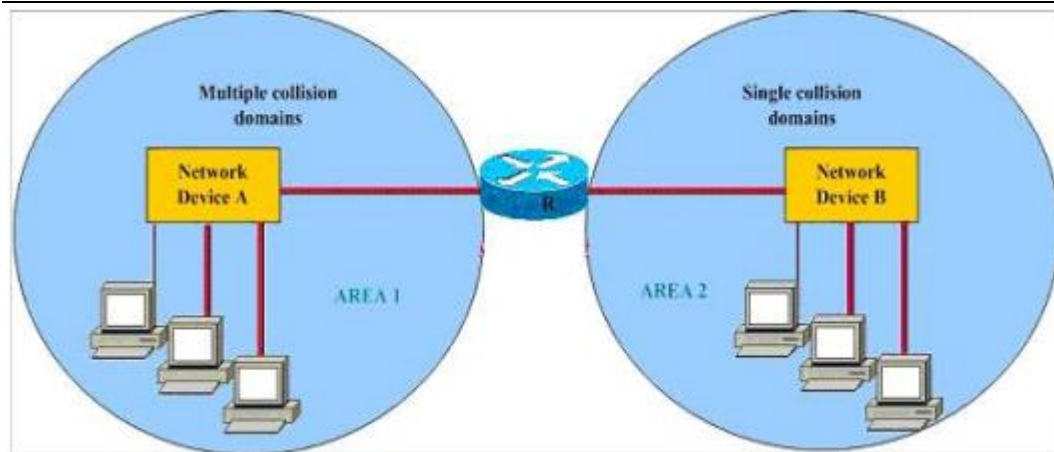
Refer to the exhibits labeled A through E. All devices are to be connected over Ethernet. Which three device-to-device configurations are likely to require the use of a crossover connection? (Choose three.)



Answer: ADE

QUESTION 14

Refer to the exhibit. A network has been planned as shown. Which three statements accurately describe the areas and devices in the network plan? (Choose three.)



- A. Network Device A is a switch.
- B. Network Device B is a switch.
- C. Network Device A is a hub.
- D. Network Device B is a hub.
- E. Area 1 contains a Layer 2 device.
- F. Area 2 contains a Layer 2 device.

Answer: ADE

QUESTION 15

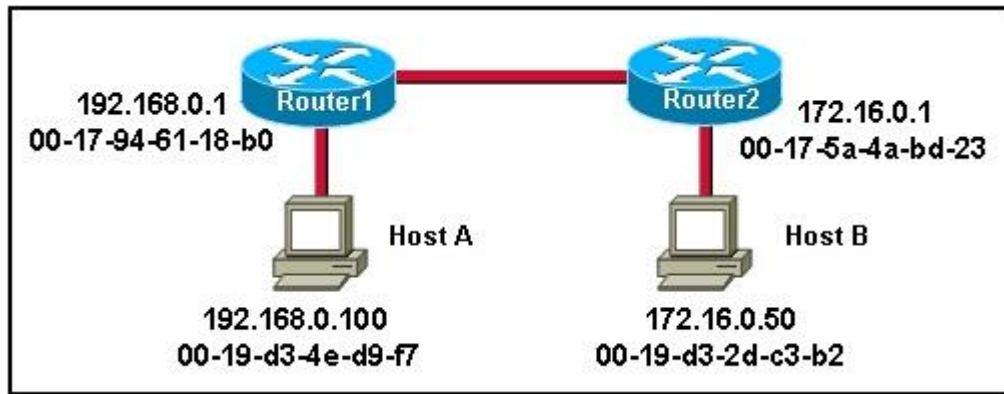
An Ethernet cable is attached to a PC NIC and then attached to a switch port. The PC power is turned on and the switch port link LED turns green. The link light indicates what two conditions? (Choose two.)

- A. Layer 2 communication has been established between the PC and switch.
- B. The PC has received a DHCP address.
- C. Traffic is being sent from the switch to the PC.
- D. If flashing, the green LED indicates port speed of 100 Mb/s.
- E. The Layer 1 media is functioning between the PC and switch.
- F. The switch port is functioning as a half-duplex connection.

Answer: AE

QUESTION 16

Refer to the exhibit. Host A is sending a packet to Host B for the first time. What destination MAC address will Host A use in the ARP request?



- A. 192.168.0.1
- B. 172.16.0.50
- C. 00-17-94-61-18-b0
- D. 00-19-d3-2d-c3-b2
- E. ff-ff-ff-ff-ff
- F. 255.255.255.255

Answer: E

QUESTION 17

Which protocol will a network host use to resolve a destination IPv4 address to a destination MAC address?

- A. ARP
- B. DHCP
- C. DNS
- D. RARP
- E. WINS

Answer: A

QUESTION 18

An administrator has connected devices to a switch and, for security reasons, wants the dynamically learned MAC addresses from the address table added to the running configuration. What must be done to accomplish this?

- A. Enable port security and use the keyword sticky.
- B. Set the switchport mode to trunk and save the running configuration.
- C. Use the switchport protected command to have the MAC addresses added to the configuration.
- D. Use the no switchport port-security command to allow MAC addresses to be added to the

configuration.

Answer: A

QUESTION 19

Refer to the exhibit. An administrator replaced the 10/100 Mb NIC in a desktop PC with a 1 Gb NIC and now the PC will not connect to the network. The administrator began troubleshooting on the switch. Using the switch output shown, what is the cause of the problem?

```
Finance# show interfaces fastEthernet 0/2
FastEthernet0/2 is down, line protocol is down (notconnect)
  Hardware is Fast Ethernet, address is 0017.596d.2a02
  Description: To Central Fa0/0
  MTU 1500 bytes, BW 100000 Kbit, DLY 100 usec,
    reliability 255/255, txload 1/255, rxload 1/255
  Encapsulation ARPA, loopback not set
  Keepalive set (10 sec)
  Full-duplex, 100Mb/s
  input flow-control is off, output flow-control is unsupported
  ARP type: ARPA, ARP Timeout 04:00:00
  Last input 00:00:03, output 00:00:00, output hang never
  Last clearing of "show interface" counters never
<output omitted>
```

- A. Speed is set to 100Mb/s.
- B. Input flow control is off.
- C. Encapsulation is set to ARPA.
- D. The port is administratively down.
- E. The counters have never been cleared.

Answer: A

QUESTION 20

Which IP addresses are valid public Class A host addresses? Assume the default Class A subnet mask is in use. (Choose two.)

- A. 10.154.16.87
- B. 11.22.33.44
- C. 68.95.255.100
- D. 127.0.0.1
- E. 128.16.89.72
- F. 131.241.78.3

Answer: BC

QUESTION 21

A small company has a Class C network address and needs to create five subnets, each accommodating 25 hosts. Which subnet mask needs to be configured?

- A. 255.255.240.0
- B. 255.255.255.128
- C. 255.255.255.192
- D. 255.255.255.224
- E. 255.255.255.240
- F. 255.255.255.248

Answer: D

QUESTION 22

What is the maximum number of bits that can be borrowed to create subnets if a Class B network address is being used?

- A. 2
- B. 6
- C. 8
- D. 14
- E. 16

Answer: D

QUESTION 23

An administrator is working with the 192.168.4.0 network, which has been subnetted with a /26 mask. Which two addresses can be assigned to hosts within the same subnet? (Choose two.)

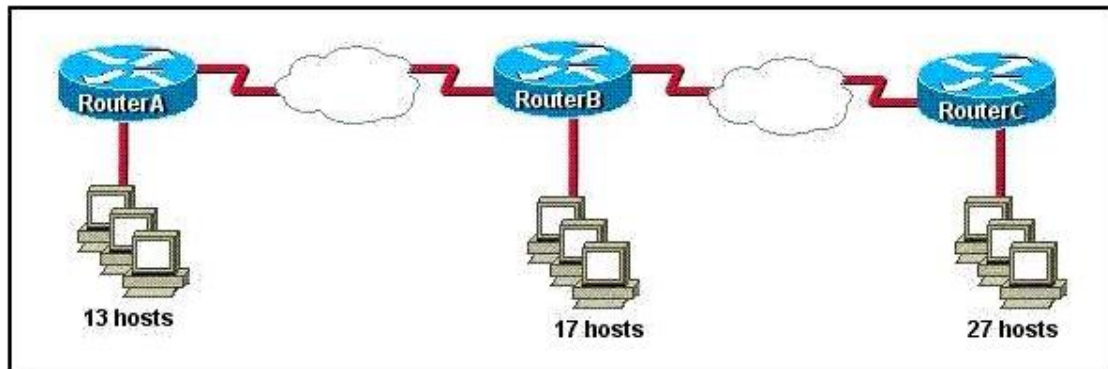
- A. 192.168.4.61
- B. 192.168.4.63
- C. 192.168.4.67
- D. 192.168.4.125
- E. 192.168.4.128
- F. 192.168.4.132

Answer: CD

QUESTION 24

Refer to the exhibit. The internetwork is using subnets of the address 192.168.1.0 with a subnet mask of 255.255.255.224. The routing protocol in use is RIP version 1. Which address could be

assigned to the FastEthernet interface on RouterA?



- A. 192.168.1.31
- B. 192.168.1.64
- C. 192.168.1.127
- D. 192.168.1.190
- E. 192.168.1.192

Answer: D

QUESTION 25

What is the network address for the host with IP address 192.168.23.61/28?

- A. 192.168.23.0
- B. 192.168.23.32
- C. 192.168.23.48
- D. 192.168.23.56
- E. 192.168.23.60

Answer: C

QUESTION 26

A new LAN segment is allocated the network number 172.16.0.0/25. What range of addresses are available for hosts on that network?

- A. 172.16.0.1 through 172.16.0.254
- B. 172.16.0.1 through 172.16.0.126
- C. 172.16.0.129 through 172.16.0.254
- D. 172.16.0.1 through 172.16.1.254
- E. 172.16.1.1 through 172.16.1.126
- F. 172.16.1.1 through 172.16.1.254

Answer: B

QUESTION 27

Which three network addresses are reserved for private network use? (Choose three.)

- A. 10.0.0.0
- B. 172.15.0.0
- C. 172.31.0.0
- D. 192.162.24.0
- E. 192.168.255.0
- F. 224.192.0.0

Answer: ACE

QUESTION 28

Which two protocols does DNS use from the TCP/IP layer? (Choose two.)

- A. ARP
- B. ICMP
- C. IP
- D. SCTP
- E. TCP
- F. UDP

Answer: EF

QUESTION 29

What happens when computers on a private network attempt to connect to the Internet through a Cisco router running PAT?

- A. The router uses the same IP address but a different TCP source port number for each connection.
- B. An IP address is assigned based on the priority of the computer requesting the connection.
- C. The router selects an address from a pool of one-to-one address mappings held in the lookup table.
- D. The router assigns a unique IP address from a pool of legally registered addresses for the duration of the connection.

Answer: A

QUESTION 30

An administrator is in the process of changing the configuration of a router. What command will allow the administrator to check the changes that have been made prior to saving the new configuration?

- A. Router# show startup-config
- B. Router# show current-config
- C. Router# show running-config
- D. Router# show memory
- E. Router# show flash
- F. Router# show processes

Answer: C

EnsurePass.com Members Features:

1. Verified Answers researched by industry experts.
2. Q&As are downloadable in PDF and VCE format.
3. 98% success Guarantee and **Money Back** Guarantee.
4. Free updates for **180** Days.
5. **Instant Access to download the Items**

View list of All Exam provided:

<http://www.ensurepass.com/certifications?index=A>

To purchase Lifetime Full Access Membership click here:

<http://www.ensurepass.com/user/register>

Valid Discount Code for 2015: JREH-G1A8-XHC6

To purchase the HOT Exams:

<u>Cisco</u>		<u>CompTIA</u>		<u>Oracle</u>	<u>VMWare</u>	<u>IBM</u>
100-101	640-554	220-801	LX0-101	1Z0-051	VCAD510	C2170-011
200-120	200-101	220-802	N10-005	1Z0-052	VCP510	C2180-319
300-206	640-911	BR0-002	SG0-001	1Z0-053	VCP550	C4030-670
300-207	640-916	CAS-001	SG1-001	1Z0-060	VCAC510	C4040-221
300-208	640-864	CLO-001	SK0-003	1Z0-474	VCP5-DCV	RedHat
350-018	642-467	ISS-001	SY0-301	1Z0-482	VCP510PSE	EX200
352-001	642-813	JK0-010	SY0-401	1Z0-485		EX300
400-101	642-832	JK0-801	PK0-003	1Z0-580		
640-461	642-902			1Z0-820		

