



Cisco

Exam 200-401

Managing Industrial Networks with Cisco Networking

Version: 7.0

[Total Questions: 64]

Topic break down

Topic	No. of Questions
Topic 1: Install, Replace, and Remove an End Device	8
Topic 2: Install, Replace, and Remove an Industrial Device	15
Topic 3: Install, Replace, and Remove Cables	5
Topic 4: Troubleshooting	18
Topic 5: Maintain Appropriate End Devices and Industrial Network Infrastructure Devices	18

Topic 1, Install, Replace, and Remove an End Device

Question No : 1 - (Topic 1)

Exhibit:

```
interface FastEthernet1/1      !
switchport access vlan 102    interface Vlan101
!                               ip address 192.168.1.1 255.255.255.0
interface FastEthernet1/2      !
switchport access vlan 104    !
!                               interface Vlan102
interface FastEthernet1/3      ip address 192.168.2.1 255.255.255.0
switchport access vlan 103    !
!                               !
interface FastEthernet1/4      interface Vlan103
switchport access vlan 101    ip address 192.168.3.1 255.255.255.128
!                               !
!                               !
interface FastEthernet1/5      !
switchport trunk native vlan 103 interface Vlan104
switchport mode trunk        ip address 192.168.3.129 255.255.255.128
!                               !
!                               !
interface Vlan1                !
no ip address                 ip classless
```

Refer to the exhibit. Which port should a PLC with IP address 192.168.3.65 be plugged into in order to communicate to the rest of the network?

- A. FastEthernet1/1
- B. FastEthernet1/2
- C. FastEthernet1/3
- D. FastEthernet1/4
- E. FastEthernet1/5

Answer: C

Question No : 2 - (Topic 1)

What are two benefits of a star network topology? (Choose two.)

- A. Disruption of the entire network is not required when adding new machines.
- B. Any problem which leaves the network inoperable can be traced to the central hub.
- C. This network type requires less cable as compared to linear bus topology.
- D. The performance of one of the numerous nodes cannot reflect on the performance of other nodes.
- E. The performance of the entire network is directly dependent on the performance of the hub.

Answer: A,B

Question No : 3 - (Topic 1)

Which of the following correctly pairs the dotted decimal subnet mask with the correct number of binary bits that represent the subnet mask?

- A. 255.255.255.192 and /25
- B. 255.255.255.248 and /28
- C. 255.255.255.224 and /26
- D. 255.255.255.248 and /27
- E. 255.255.255.240 and /28
- F. 255.255.255.240 and /16

Answer: E

Question No : 4 - (Topic 1)

A small manufacturing company has a Class C network address on the plant floor and needs to create five subnets, each accommodating 25 endpoints. Which subnet mask needs to be configured?

- A. 255.255.240.0
- B. 255.255.255.128
- C. 255.255.255.192
- D. 255.255.255.224

E. 255.255.255.240

F. 255.255.255.248

Answer: D

Question No : 5 - (Topic 1)

Exhibit:



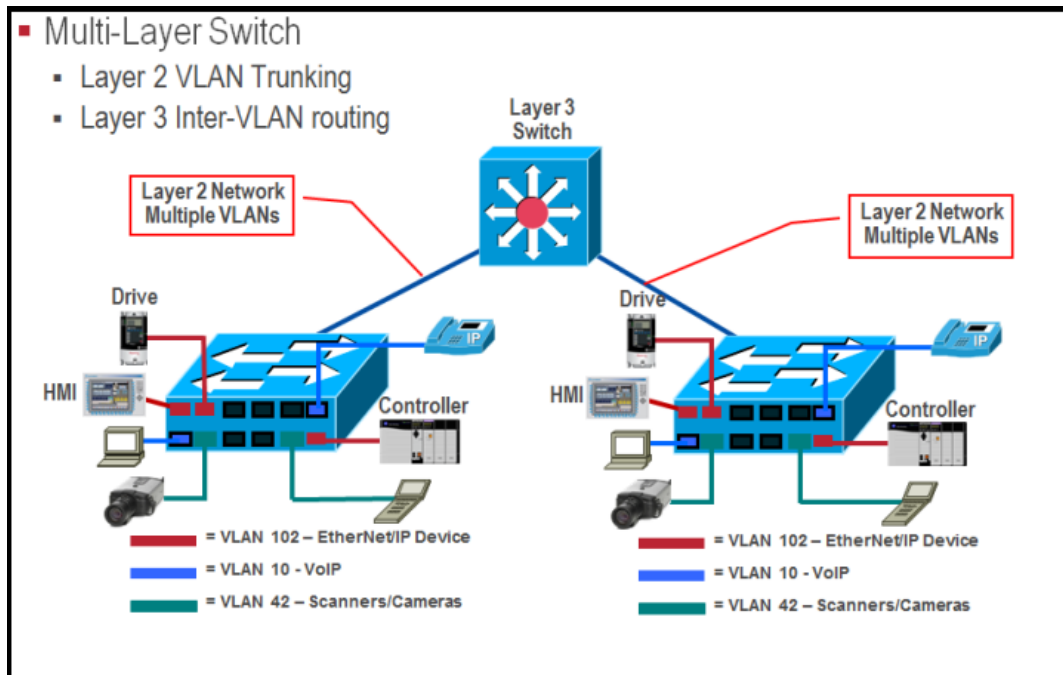
Which two statements are correct for a safe wiring installation to the terminal block of the switch or endpoint? (Choose two.)

- A. Insert a green ground wire into the terminal block that is marked RT for return.
- B. Verify that DC power is live and within 24 VDC voltage range before starting wiring.
- C. Verify that the DC power circuit includes an overcurrent protective device that limits the DC current to 5 A.
- D. Because this is a low-voltage DC circuit, anyone can install this wiring without electrical training or qualifications.
- E. Connect the positive 24 VDC conductor to the V terminal and connect the negative 24 VDC return wire to the RT terminal.
- F. A ground wire can optionally be connected to the screw terminal on the front of the switch.

Answer: C,E

Question No : 6 - (Topic 1)

Exhibit:



Refer to the exhibit. What are three traffic and interconnection requirements for the devices in the exhibit? (Choose three.)

- A. The EtherNet/IP drive connections are in a high-voltage area and need protection from electromagnetic noise, so shielded cable that is rated for 600 V is advised.
- B. EtherNet/IP devices such as the controller, drive, VoIP phone, and IP camera should be in the same VLAN.
- C. CIP traffic has the highest bandwidth requirement so it needs the highest QoS setting.
- D. EtherNet/IP drive traffic has high sensitivity to random drops, latency, and jitter.
- E. Real-time motion control and VoIP traffic can share the same VLAN with the proper QoS setting.
- F. IEEE1588 and PTP are important for ensuring real-time synchronization.

Answer: A,D,F

Question No : 7 - (Topic 1)

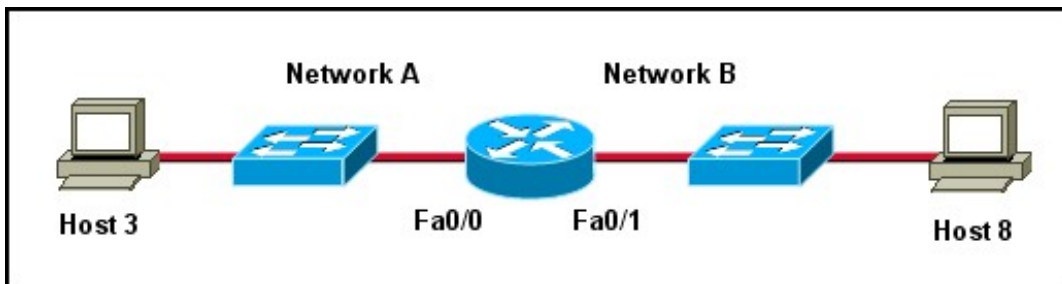
Which option allows an EtherNet/IP I/O device to be safely installed where it is subject to water immersion?

- A. The device is rated IP20 and the power wiring is installed securely to the terminal block.
- B. The device is rated IP67 and a power cordset is used.
- C. The device is rated IP67 and immersed to 10 m.
- D. The device is rated IP20 and immersed to 10 m.

Answer: B

Question No : 8 - (Topic 1)

Exhibit:



Refer to the exhibit. Host 3 on Network A is sending data to Host 8 on Network B. Which address is the default gateway of Host 3?

- A. the address of the switch interface that is connected to router interface Fa0/0
- B. the address of the switch interface that is connected to router interface Fa0/1
- C. the address of the host that is connected to Network A
- D. the address of the host that is connected to Network B
- E. the address of the router interface Fa0/0
- F. the address of the router interface Fa0/1

Answer: E

Topic 2, Install, Replace, and Remove an Industrial Device

Question No : 9 - (Topic 2)

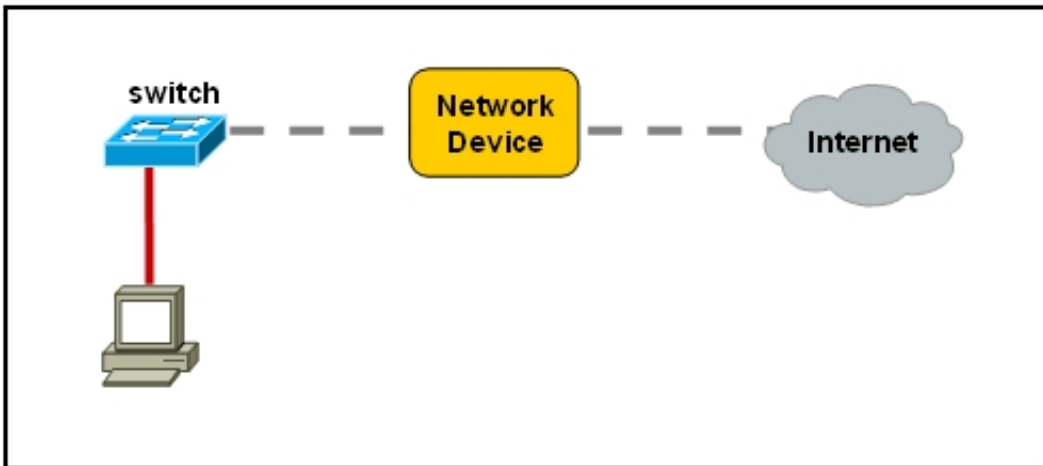
Which three of the following components must be elected before the Spanning Tree Protocol can converge in a switched LAN? (Choose three.)

- A. designated ports
- B. duplex operating mode
- C. fast mode ports
- D. root bridge
- E. root ports
- F. BPDU priority

Answer: A,D,E

Question No : 10 - (Topic 2)

Exhibit:



Refer to the exhibit. An industrial ruggedized network device needs to be installed in the place of the icon labeled Network Device to accommodate a leased line attachment to the Internet. Which network device and interface configuration meets the minimum requirements for this installation?

- A. a router with two Ethernet interfaces
- B. a switch with two Ethernet interfaces
- C. a router with one Ethernet and one serial interface
- D. a switch with one Ethernet and one serial interface
- E. a router with one Ethernet and one modem interface

Answer: C

Question No : 11 - (Topic 2)

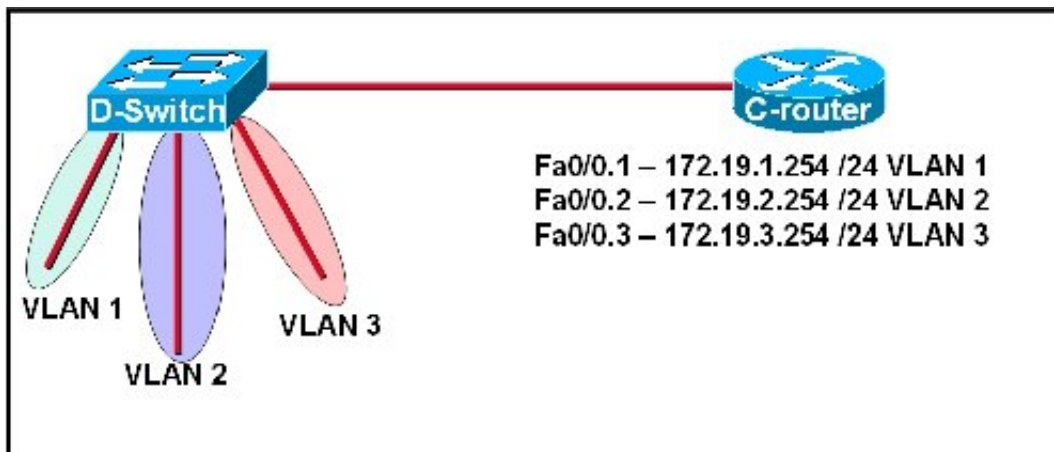
Which prompt is used to configure parameters for the Ethernet ports of an industrial switch?

- A. Switch(config-if)#
- B. Switch(config-if-ind)#
- C. Switch(config-line)#
- D. Switch(config-ind)#
- E. Switch(config-vlan)#

Answer: A

Question No : 12 - (Topic 2)

Exhibit:



Refer to the exhibit. C-router is to be used as a "router-on-a-stick" to route between the VLANs. All the interfaces have been properly configured and IP routing is operational. The hosts in the VLANs have been configured with the appropriate default gateway. What is true about this configuration?

- A. These commands need to be added to the configuration:
C-router(config)# router eigrp 123
C-router(config-router)# network 172.19.0.0
- B. These commands need to be added to the configuration:
C-router(config)# router ospf 1
C-router(config-router)# network 172.19.0.0 0.0.3.255 area 0
- C. These commands need to be added to the configuration:
C-router(config)# router rip
C-router(config-router)# network 172.19.0.0
- D. No further routing configuration is required.

Answer: D

Question No : 13 - (Topic 2)

What are the two most relevant factors in determining the class of administration that is required to maintain the telecommunications infrastructure? (Choose two.)

- A. the size of the infrastructure

Microsoft Exams List

70-246 Dump PDF VCE	70-485 Dump PDF VCE	70-742 Dump PDF VCE	98-366 Dump PDF VCE
70-247 Dump PDF VCE	70-486 Dump PDF VCE	70-743 Dump PDF VCE	98-367 Dump PDF VCE
70-331 Dump PDF VCE	70-487 Dump PDF VCE	70-744 Dump PDF VCE	98-368 Dump PDF VCE
70-332 Dump PDF VCE	70-488 Dump PDF VCE	70-761 Dump PDF VCE	98-369 Dump PDF VCE
70-333 Dump PDF VCE	70-489 Dump PDF VCE	70-762 Dump PDF VCE	98-372 Dump PDF VCE
70-334 Dump PDF VCE	70-490 Dump PDF VCE	70-765 Dump PDF VCE	98-373 Dump PDF VCE
70-339 Dump PDF VCE	70-491 Dump PDF VCE	70-768 Dump PDF VCE	98-374 Dump PDF VCE
70-341 Dump PDF VCE	70-492 Dump PDF VCE	70-980 Dump PDF VCE	98-375 Dump PDF VCE
70-342 Dump PDF VCE	70-494 Dump PDF VCE	70-981 Dump PDF VCE	98-379 Dump PDF VCE
70-345 Dump PDF VCE	70-496 Dump PDF VCE	70-982 Dump PDF VCE	MB2-700 Dump PDF VCE
70-346 Dump PDF VCE	70-497 Dump PDF VCE	74-343 Dump PDF VCE	MB2-701 Dump PDF VCE
70-347 Dump PDF VCE	70-498 Dump PDF VCE	74-344 Dump PDF VCE	MB2-702 Dump PDF VCE
70-348 Dump PDF VCE	70-499 Dump PDF VCE	74-409 Dump PDF VCE	MB2-703 Dump PDF VCE
70-354 Dump PDF VCE	70-517 Dump PDF VCE	74-678 Dump PDF VCE	MB2-704 Dump PDF VCE
70-383 Dump PDF VCE	70-532 Dump PDF VCE	74-697 Dump PDF VCE	MB2-707 Dump PDF VCE
70-384 Dump PDF VCE	70-533 Dump PDF VCE	77-420 Dump PDF VCE	MB2-710 Dump PDF VCE
70-385 Dump PDF VCE	70-534 Dump PDF VCE	77-427 Dump PDF VCE	MB2-711 Dump PDF VCE
70-410 Dump PDF VCE	70-640 Dump PDF VCE	77-600 Dump PDF VCE	MB2-712 Dump PDF VCE
70-411 Dump PDF VCE	70-642 Dump PDF VCE	77-601 Dump PDF VCE	MB2-713 Dump PDF VCE
70-412 Dump PDF VCE	70-646 Dump PDF VCE	77-602 Dump PDF VCE	MB2-714 Dump PDF VCE
70-413 Dump PDF VCE	70-673 Dump PDF VCE	77-603 Dump PDF VCE	MB2-715 Dump PDF VCE
70-414 Dump PDF VCE	70-680 Dump PDF VCE	77-604 Dump PDF VCE	MB2-716 Dump PDF VCE
70-417 Dump PDF VCE	70-681 Dump PDF VCE	77-605 Dump PDF VCE	MB2-717 Dump PDF VCE
70-461 Dump PDF VCE	70-682 Dump PDF VCE	77-881 Dump PDF VCE	MB2-718 Dump PDF VCE
70-462 Dump PDF VCE	70-684 Dump PDF VCE	77-882 Dump PDF VCE	MB5-705 Dump PDF VCE
70-463 Dump PDF VCE	70-685 Dump PDF VCE	77-883 Dump PDF VCE	MB6-700 Dump PDF VCE
70-464 Dump PDF VCE	70-686 Dump PDF VCE	77-884 Dump PDF VCE	MB6-701 Dump PDF VCE
70-465 Dump PDF VCE	70-687 Dump PDF VCE	77-885 Dump PDF VCE	MB6-702 Dump PDF VCE
70-466 Dump PDF VCE	70-688 Dump PDF VCE	77-886 Dump PDF VCE	MB6-703 Dump PDF VCE
70-467 Dump PDF VCE	70-689 Dump PDF VCE	77-887 Dump PDF VCE	MB6-704 Dump PDF VCE
70-469 Dump PDF VCE	70-692 Dump PDF VCE	77-888 Dump PDF VCE	MB6-705 Dump PDF VCE
70-470 Dump PDF VCE	70-695 Dump PDF VCE	77-891 Dump PDF VCE	MB6-884 Dump PDF VCE
70-473 Dump PDF VCE	70-696 Dump PDF VCE	98-349 Dump PDF VCE	MB6-885 Dump PDF VCE
70-480 Dump PDF VCE	70-697 Dump PDF VCE	98-361 Dump PDF VCE	MB6-886 Dump PDF VCE
70-481 Dump PDF VCE	70-698 Dump PDF VCE	98-362 Dump PDF VCE	MB6-889 Dump PDF VCE
70-482 Dump PDF VCE	70-734 Dump PDF VCE	98-363 Dump PDF VCE	MB6-890 Dump PDF VCE
70-483 Dump PDF VCE	70-740 Dump PDF VCE	98-364 Dump PDF VCE	MB6-892 Dump PDF VCE
70-484 Dump PDF VCE	70-741 Dump PDF VCE	98-365 Dump PDF VCE	MB6-893 Dump PDF VCE

Cisco Exams List

010-151 Dump PDF VCE	350-018 Dump PDF VCE	642-737 Dump PDF VCE	650-667 Dump PDF VCE
100-105 Dump PDF VCE	352-001 Dump PDF VCE	642-742 Dump PDF VCE	650-669 Dump PDF VCE
200-001 Dump PDF VCE	400-051 Dump PDF VCE	642-883 Dump PDF VCE	650-752 Dump PDF VCE
200-105 Dump PDF VCE	400-101 Dump PDF VCE	642-885 Dump PDF VCE	650-756 Dump PDF VCE
200-120 Dump PDF VCE	400-151 Dump PDF VCE	642-887 Dump PDF VCE	650-968 Dump PDF VCE
200-125 Dump PDF VCE	400-201 Dump PDF VCE	642-889 Dump PDF VCE	700-001 Dump PDF VCE
200-150 Dump PDF VCE	400-251 Dump PDF VCE	642-980 Dump PDF VCE	700-037 Dump PDF VCE
200-155 Dump PDF VCE	400-351 Dump PDF VCE	642-996 Dump PDF VCE	700-038 Dump PDF VCE
200-310 Dump PDF VCE	500-006 Dump PDF VCE	642-997 Dump PDF VCE	700-039 Dump PDF VCE
200-355 Dump PDF VCE	500-007 Dump PDF VCE	642-998 Dump PDF VCE	700-101 Dump PDF VCE
200-401 Dump PDF VCE	500-051 Dump PDF VCE	642-999 Dump PDF VCE	700-104 Dump PDF VCE
200-601 Dump PDF VCE	500-052 Dump PDF VCE	644-066 Dump PDF VCE	700-201 Dump PDF VCE
210-060 Dump PDF VCE	500-170 Dump PDF VCE	644-068 Dump PDF VCE	700-205 Dump PDF VCE
210-065 Dump PDF VCE	500-201 Dump PDF VCE	644-906 Dump PDF VCE	700-260 Dump PDF VCE
210-250 Dump PDF VCE	500-202 Dump PDF VCE	646-048 Dump PDF VCE	700-270 Dump PDF VCE
210-255 Dump PDF VCE	500-254 Dump PDF VCE	646-365 Dump PDF VCE	700-280 Dump PDF VCE
210-260 Dump PDF VCE	500-258 Dump PDF VCE	646-580 Dump PDF VCE	700-281 Dump PDF VCE
210-451 Dump PDF VCE	500-260 Dump PDF VCE	646-671 Dump PDF VCE	700-295 Dump PDF VCE
210-455 Dump PDF VCE	500-265 Dump PDF VCE	646-985 Dump PDF VCE	700-501 Dump PDF VCE
300-070 Dump PDF VCE	500-275 Dump PDF VCE	648-232 Dump PDF VCE	700-505 Dump PDF VCE
300-075 Dump PDF VCE	500-280 Dump PDF VCE	648-238 Dump PDF VCE	700-601 Dump PDF VCE
300-080 Dump PDF VCE	500-285 Dump PDF VCE	648-244 Dump PDF VCE	700-602 Dump PDF VCE
300-085 Dump PDF VCE	500-290 Dump PDF VCE	648-247 Dump PDF VCE	700-603 Dump PDF VCE
300-101 Dump PDF VCE	500-801 Dump PDF VCE	648-375 Dump PDF VCE	700-701 Dump PDF VCE
300-115 Dump PDF VCE	600-199 Dump PDF VCE	648-385 Dump PDF VCE	700-702 Dump PDF VCE
300-135 Dump PDF VCE	600-210 Dump PDF VCE	650-032 Dump PDF VCE	700-703 Dump PDF VCE
300-160 Dump PDF VCE	600-211 Dump PDF VCE	650-042 Dump PDF VCE	700-801 Dump PDF VCE
300-165 Dump PDF VCE	600-212 Dump PDF VCE	650-059 Dump PDF VCE	700-802 Dump PDF VCE
300-180 Dump PDF VCE	600-455 Dump PDF VCE	650-082 Dump PDF VCE	700-803 Dump PDF VCE
300-206 Dump PDF VCE	600-460 Dump PDF VCE	650-127 Dump PDF VCE	810-403 Dump PDF VCE
300-207 Dump PDF VCE	600-501 Dump PDF VCE	650-128 Dump PDF VCE	820-424 Dump PDF VCE
300-208 Dump PDF VCE	600-502 Dump PDF VCE	650-148 Dump PDF VCE	840-425 Dump PDF VCE
300-209 Dump PDF VCE	600-503 Dump PDF VCE	650-159 Dump PDF VCE	
300-210 Dump PDF VCE	600-504 Dump PDF VCE	650-281 Dump PDF VCE	
300-320 Dump PDF VCE	640-692 Dump PDF VCE	650-393 Dump PDF VCE	
300-360 Dump PDF VCE	640-875 Dump PDF VCE	650-472 Dump PDF VCE	
300-365 Dump PDF VCE	640-878 Dump PDF VCE	650-474 Dump PDF VCE	
300-370 Dump PDF VCE	640-911 Dump PDF VCE	650-575 Dump PDF VCE	
300-375 Dump PDF VCE	640-916 Dump PDF VCE	650-621 Dump PDF VCE	
300-465 Dump PDF VCE	642-035 Dump PDF VCE	650-663 Dump PDF VCE	
300-470 Dump PDF VCE	642-732 Dump PDF VCE	650-665 Dump PDF VCE	
300-475 Dump PDF VCE	642-747 Dump PDF VCE	650-754 Dump PDF VCE	

HOT EXAMS

Cisco

[100-105 Dumps VCE PDF](#)
[200-105 Dumps VCE PDF](#)
[300-101 Dumps VCE PDF](#)
[300-115 Dumps VCE PDF](#)
[300-135 Dumps VCE PDF](#)
[300-320 Dumps VCE PDF](#)
[400-101 Dumps VCE PDF](#)
[640-911 Dumps VCE PDF](#)
[640-916 Dumps VCE PDF](#)

Microsoft

[70-410 Dumps VCE PDF](#)
[70-411 Dumps VCE PDF](#)
[70-412 Dumps VCE PDF](#)
[70-413 Dumps VCE PDF](#)
[70-414 Dumps VCE PDF](#)
[70-417 Dumps VCE PDF](#)
[70-461 Dumps VCE PDF](#)
[70-462 Dumps VCE PDF](#)
[70-463 Dumps VCE PDF](#)
[70-464 Dumps VCE PDF](#)
[70-465 Dumps VCE PDF](#)
[70-480 Dumps VCE PDF](#)
[70-483 Dumps VCE PDF](#)
[70-486 Dumps VCE PDF](#)
[70-487 Dumps VCE PDF](#)

CompTIA

[220-901 Dumps VCE PDF](#)
[220-902 Dumps VCE PDF](#)
[N10-006 Dumps VCE PDF](#)
[SY0-401 Dumps VCE PDF](#)