



Vendor: Cisco

Exam Code: 200-101

**Exam Name: Interconnecting Cisco Networking Devices
Part 2 (ICND2) v2.0**

Version: Demo

QUESTION 1

Refer to the exhibit. Why has this switch not been elected the root bridge for VLAN1?

```
Switch# show spanning-tree vlan 1
VLAN0001
  Spanning tree enabled protocol rstp
  Root ID    Priority    20481
            Address    0008.217a.5800
            Cost      38
            Port      1 (FastEthernet0/1)
            Hello Time 2 sec  Max Age 20 sec  Forward Delay 15 sec

  Bridge ID  Priority    32769 (priority 32768 sys-id-ext 1)
            Address    0008.205e.6600
            Hello Time 2 sec  Max Age 20 sec  Forward Delay 15 sec
            Aging Time 300

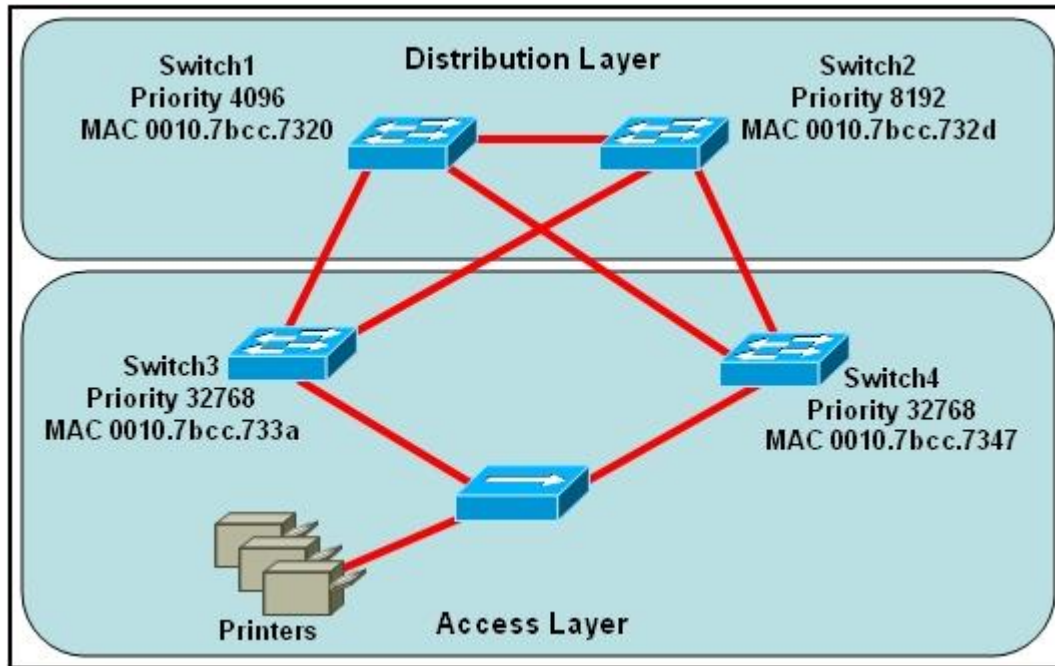
Interface          Role Sts Cost      Prio.Nbr Type
-----
Fa0/1              Root FWD 19        128.1   P2p
Fa0/4              Desg FWD 38        128.1   P2p
Fa0/11             Altn BLK 57        128.1   P2p
Fa0/13             Desg FWD 38        128.1   P2p
```

- A. It has more than one interface that is connected to the root network segment.
- B. It is running RSTP while the elected root bridge is running 802.1d spanning tree.
- C. It has a higher MAC address than the elected root bridge.
- D. It has a higher bridge ID than the elected root bridge.

Correct Answer: D

QUESTION 2

Refer to the exhibit. Which switch provides the spanning-tree designated port role for the network segment that services the printers?

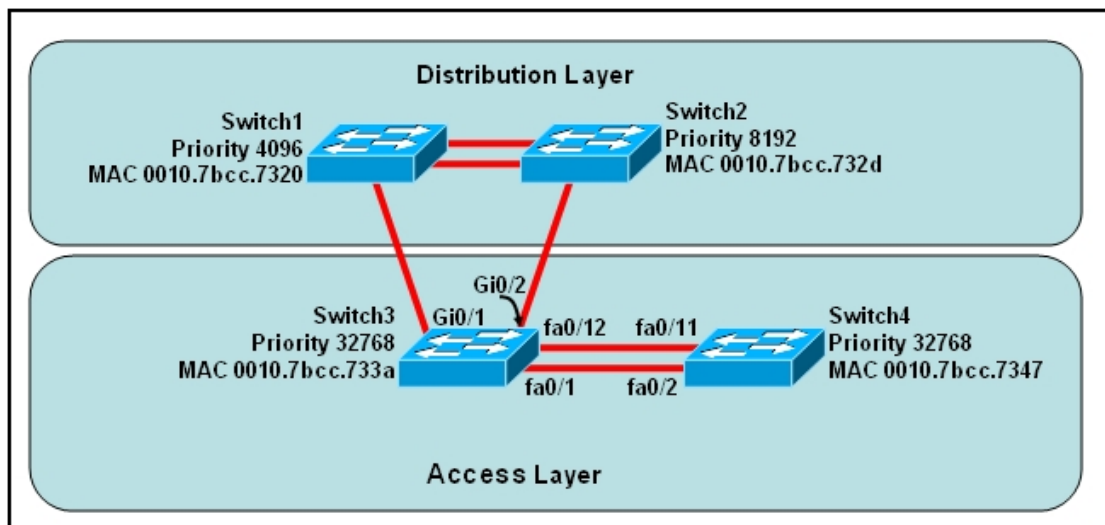


- A. Switch1
- B. Switch2
- C. Switch3
- D. Switch4

Correct Answer: C

QUESTION 3

Refer to the exhibit. At the end of an RSTP election process, which access layer switch port will assume the discarding role?



- A. Switch3, port fa0/1
- B. Switch3, port fa0/12
- C. Switch4, port fa0/11
- D. Switch4, port fa0/2
- E. Switch3, port Gi0/1
- F. Switch3, port Gi0/2

Correct Answer: C

QUESTION 4

Refer to the exhibit. Given the output shown from this Cisco Catalyst 2950, what is the reason that interface FastEthernet 0/10 is not the root port for VLAN 2?

```
Switch# show spanning-tree interface fastethernet 0/10
```

Vlan	Role	Sts	Cost	Prio.	Nbr	Type
VLAN0001	Root	FWD	19	128.1		P2p
VLAN0002	Altn	BLK	19	128.2		P2p
VLAN0003	Root	FWD	19	128.2		P2p

- A. This switch has more than one interface connected to the root network segment in VLAN 2.
- B. This switch is running RSTP while the elected designated switch is running 802.1d Spanning Tree.
- C. This switch interface has a higher path cost to the root bridge than another in the topology.
- D. This switch has a lower bridge ID for VLAN 2 than the elected designated switch.

Correct Answer: C

QUESTION 5

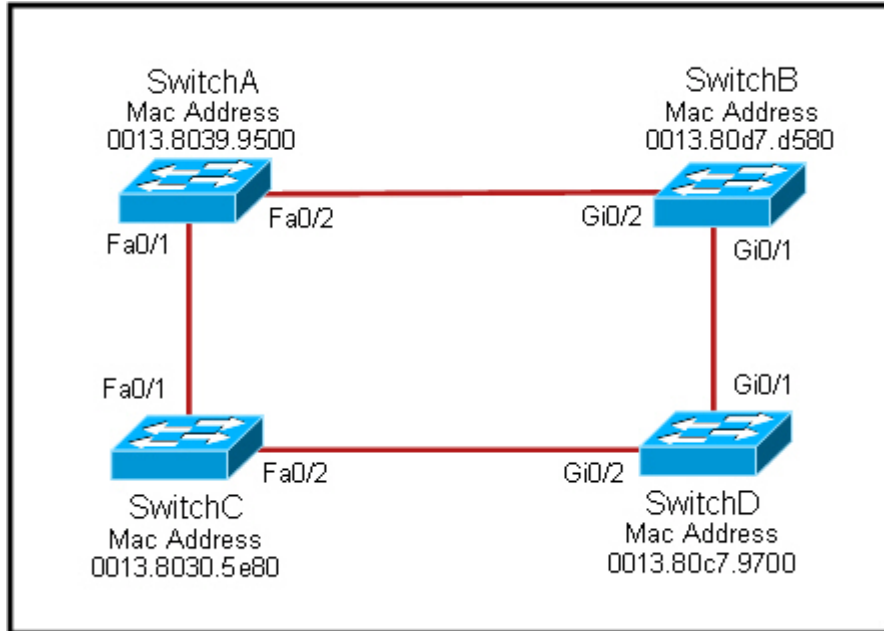
Which two of these statements regarding RSTP are correct? (Choose two.)

- A. RSTP cannot operate with PVST+.
- B. RSTP defines new port roles.
- C. RSTP defines no new port states.
- D. RSTP is a proprietary implementation of IEEE 802.1D STP.
- E. RSTP is compatible with the original IEEE 802.1D STP.

Correct Answer: BE

QUESTION 6

Refer to the exhibit. Each of these four switches has been configured with a hostname, as well as being configured to run RSTP. No other configuration changes have been made. Which three of these show the correct RSTP port roles for the indicated switches and interfaces? (Choose three.)



- A. SwitchA, Fa0/2, designated
- B. SwitchA, Fa0/1, root
- C. SwitchB, Gi0/2, root
- D. SwitchB, Gi0/1, designated
- E. SwitchC, Fa0/2, root
- F. SwitchD, Gi0/2, root

Correct Answer: ABF

QUESTION 7

Which port state is introduced by Rapid-PVST?

- A. learning
- B. listening
- C. discarding
- D. forwarding

Correct Answer: C

QUESTION 8

Which two states are the port states when RSTP has converged? (Choose two.)

- A. discarding
- B. listening
- C. learning
- D. forwarding
- E. disabled

Correct Answer: AD

QUESTION 9

Which three statements about RSTP are true? (Choose three.)

- A. RSTP significantly reduces topology reconverging time after a link failure.
- B. RSTP expands the STP port roles by adding the alternate and backup roles.
- C. RSTP port states are blocking, discarding, learning, or forwarding.
- D. RSTP provides a faster transition to the forwarding state on point-to-point links than STP does.
- E. RSTP also uses the STP proposal-agreement sequence.
- F. RSTP uses the same timer-based process as STP on point-to-point links.

Correct Answer: ABD

QUESTION 10

At which layer of the OSI model is RSTP used to prevent loops?

- A. physical
- B. data link
- C. network
- D. transport

Correct Answer: B

QUESTION 11

What is one benefit of PVST+?

- A. PVST+ supports Layer 3 load balancing without loops.
- B. PVST+ reduces the CPU cycles for all the switches in the network.
- C. PVST+ allows the root switch location to be optimized per VLAN.
- D. PVST+ automatically selects the root bridge location, to provide optimized bandwidth usage.

Correct Answer: C

QUESTION 12

Which three statements are typical characteristics of VLAN arrangements? (Choose three.)

- A. A new switch has no VLANs configured.
- B. Connectivity between VLANs requires a Layer 3 device.
- C. VLANs typically decrease the number of collision domains.
- D. Each VLAN uses a separate address space.
- E. A switch maintains a separate bridging table for each VLAN.
- F. VLANs cannot span multiple switches.

Correct Answer: BDE

QUESTION 13

Refer to the exhibit. The output that is shown is generated at a switch. Which three statements are true? (Choose three.)

```
Switch# show spanning-tree vlan 30
VLAN0030
Spanning tree enabled protocol rstp
Root ID Priority 24606
Address 00d0.047b.2800
This bridge is the root
Hello Time 2 sec Max Age 20 sec Forward Delay 15 sec
Bridge ID Priority 24606 (priority 24576 sys-id-ext 30)
Address 00d0.047b.2800
Hello Time 2 sec Max Age 20 sec Forward Delay 15 sec
Aging Time 300
Interface    Role  Sts  Cost  Prio.Nbr  Type
-----
Fa1/1        Desg FWD   4     128.1    p2p
Fa1/2        Desg FWD   4     128.2    p2p
Fa5/1        Desg FWD   4     128.257  p2p
```

- A. All ports will be in a state of discarding, learning, or forwarding.
- B. Thirty VLANs have been configured on this switch.
- C. The bridge priority is lower than the default value for spanning tree.
- D. All interfaces that are shown are on shared media.
- E. All designated ports are in a forwarding state.
- F. This switch must be the root bridge for all VLANs on this switch.

Correct Answer: ACE

QUESTION 14

Which term describes a spanning-tree network that has all switch ports in either the blocking or forwarding state?

- A. converged
- B. redundant
- C. provisioned
- D. spanned

Correct Answer: A

QUESTION 15

Refer to the exhibit. A technician has configured the FastEthernet 0/1 interface on Sw11 as an access link in VLAN 1. Based on the output from the show vlan brief command issued on Sw12, what will be the result of making this change on Sw11?

```

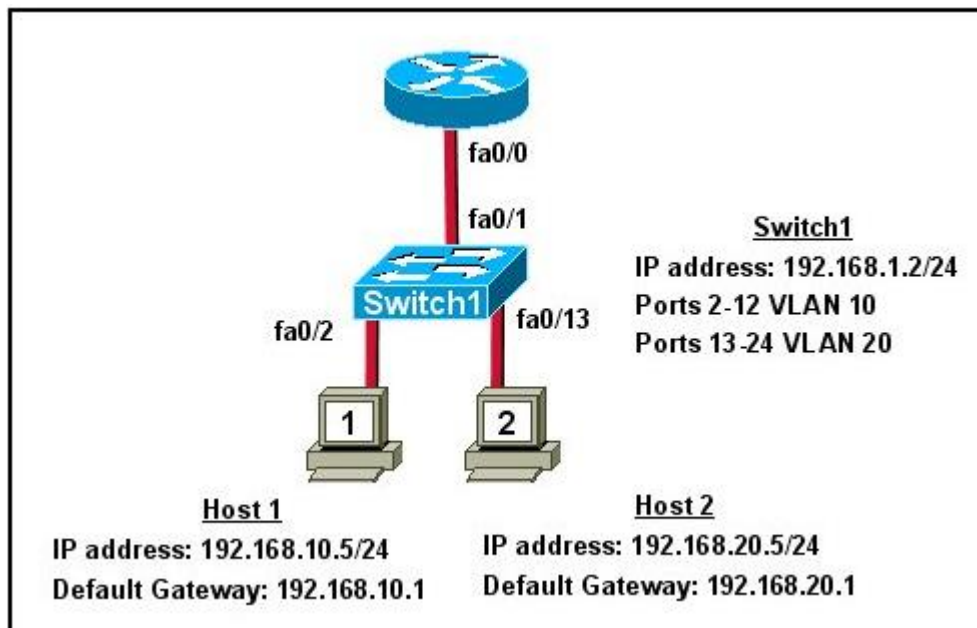
Sw12#show vlan brief
-----
VLAN  Name                Status  Ports
-----
 1    default              active
10    Marketing            active  Fa0/6, Fa0/7, Fa0/8, Fa0/9
      Fa0/10, Fa0/11, Fa0/12, Fa0/13
      Fa0/14, Fa0/15
15    Accounting           active  Fa0/16, Fa0/18, Fa0/19, Fa0/20
      Fa0/21, Fa0/22, Fa0/24
20    Admin                active  Fa0/2, Fa0/3, Fa0/4, Fa0/5
1002  fddi-default         active
1003  token-ring-default   active
1004  fddinet-default      active
1005  trnet-default        active
Sw12#
    
```

- A. Only the hosts in VLAN 1 on the two switches will be able to communicate with each other.
- B. The hosts in all VLANs on the two switches will be able to communicate with each other.
- C. Only the hosts in VLAN 10 and VLAN 15 on the two switches will be able to communicate with each other.
- D. Hosts will not be able to communicate between the two switches.

Correct Answer: D

QUESTION 16

Refer to the exhibit. What commands must be configured on the 2950 switch and the router to allow communication between host 1 and host 2? (Choose two.)



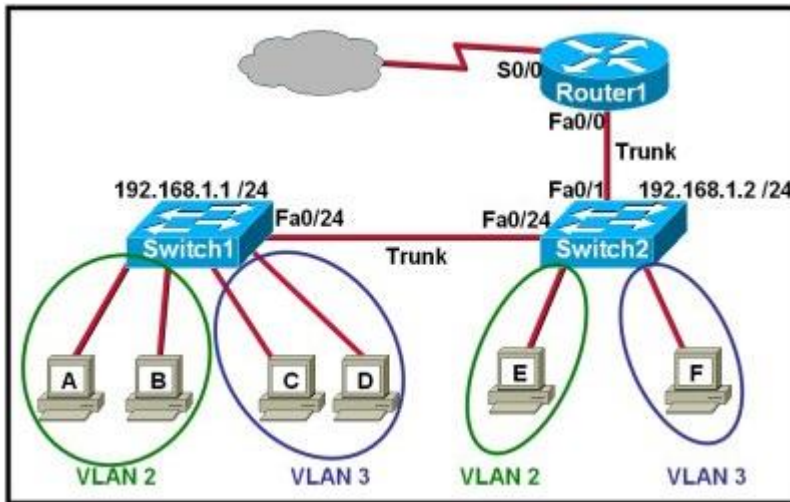
- A. Router(config)# interface fastethernet 0/0
 Router(config-if)# ip address 192.168.1.1 255.255.255.0
 Router(config-if)# no shut down
- B. Router(config)# interface fastethernet 0/0
 Router(config-if)# no shut down
 Router(config)# interface fastethernet 0/0.1
 Router(config-subif)# encapsulation dot1q 10
 Router(config-subif)# ip address 192.168.10.1 255.255.255.0
 Router(config)# interface fastethernet 0/0.2
 Router(config-subif)# encapsulation dot1q 20
 Router(config-subif)# ip address 192.168.20.1 255.255.255.0
- C. Router(config)# router eigrp 100
 Router(config-router)# network 192.168.10.0
 Router(config-router)# network 192.168.20.0
- D. Switch1(config)# vlan database
 Switch1(config-vlan)# vtp domain XYZ
 Switch1(config-vlan)# vtp server
- E. Switch1(config)# interface fastethernet 0/1
 Switch1(config-if)# switchport mode trunk

- F. Switch1(config)# interface vlan 1
 Switch1(config-if)# ip default-gateway 192.168.1.1

Correct Answer: BE

QUESTION 17

Refer to the exhibit. Which two statements are true about interVLAN routing in the topology that is shown in the exhibit? (Choose two.)



- A. Host E and host F use the same IP gateway address.
- B. Router1 and Switch2 should be connected via a crossover cable.
- C. Router1 will not play a role in communications between host A and host D.
- D. The FastEthernet 0/0 interface on Router1 must be configured with subinterfaces.
- E. Router1 needs more LAN interfaces to accommodate the VLANs that are shown in the exhibit.
- F. The FastEthernet 0/0 interface on Router1 and the FastEthernet 0/1 interface on Switch2 trunk ports must be configured using the same encapsulation type.

Correct Answer: DF

QUESTION 18

Which three of these statements regarding 802.1Q trunking are correct? (Choose three.)

- A. 802.1Q native VLAN frames are untagged by default.
- B. 802.1Q trunking ports can also be secure ports.
- C. 802.1Q trunks can use 10 Mb/s Ethernet interfaces.
- D. 802.1Q trunks require full-duplex, point-to-point connectivity.

E. 802.1Q trunks should have native VLANs that are the same at both ends.

Correct Answer: ACE

QUESTION 19

Which two statements describe the process identifier that is used in the command to configure OSPF on a router? (Choose two.)

Router(config)# router ospf 1

- A. All OSPF routers in an area must have the same process ID.
- B. Only one process number can be used on the same router.
- C. Different process identifiers can be used to run multiple OSPF processes
- D. The process number can be any number from 1 to 65,535.
- E. Hello packets are sent to each neighbor to determine the processor identifier.

Correct Answer: CD

QUESTION 20

Refer to the exhibit. Given the output from the show ip eigrp topology command, which router is the feasible successor?

```
router#show ip eigrp topology 10.0.0.5 255.255.255.255
IP-EIGRP topology entry for 10.0.0.5/32 State is Passive, Query
origin flag is 1, 1 Successor(s), FD is 41152000
```

A.

```
10.1.0.3 (Serial0), from 10.1.0.3, Send flag is 0x0
  Composite metric is (46866176/46354176), Route is Internal
  Vector metric:
    Minimum bandwidth is 56 Kbit
    Total delay is 45000 microseconds
    Reliability is 255/255
    Load is 1/255
    Minimum MTU is 1500
    Hop count is 2
```

B.

```
10.0.0.2 (Serial0.1), from 10.0.0.2, Send flag is 0x0
  Composite metric is (53973248/128256), Route is Internal
  Vector metric:
    Minimum bandwidth is 48 Kbit
    Total delay is 25000 microseconds
    Reliability is 255/255
    Load is 1/255
    Minimum MTU is 1500
    Hop count is 1
```

C.

```
10.1.0.1 (Serial0), from 10.1.0.1, Send flag is 0x0
  Composite metric is (46152000/41640000), Route is Internal
  Vector metric:
    Minimum bandwidth is 64 Kbit
    Total delay is 45000 microseconds
    Reliability is 255/255
    Load is 1/255
    Minimum MTU is 1500
    Hop count is 2
```

D.

```
10.1.1.1 (Serial0.1), from 10.1.1.1, Send flag is 0x0
  Composite metric is (46763776/46251776), Route is External
  Vector metric:
    Minimum bandwidth is 56 Kbit
    Total delay is 41000 microseconds
    Reliability is 255/255
    Load is 1/255
    Minimum MTU is 1500
    Hop count is 2
```

Correct Answer: B

EnsurePass.com Members Features:

1. Verified Answers researched by industry experts.
2. Q&As are downloadable in PDF and VCE format.
3. 98% success Guarantee and **Money Back** Guarantee.
4. Free updates for **180** Days.
5. **Instant Access to download the Items**

View list of All Exam provided:

<http://www.ensurepass.com/certifications?index=A>

To purchase Lifetime Full Access Membership click here:

<http://www.ensurepass.com/user/register>

Valid Discount Code for 2015: JREH-G1A8-XHC6

To purchase the HOT Exams:

<u>Cisco</u>		<u>CompTIA</u>		<u>Oracle</u>	<u>VMWare</u>	<u>IBM</u>
<u>100-101</u>	<u>640-554</u>	<u>220-801</u>	<u>LX0-101</u>	<u>1Z0-051</u>	<u>VCAD510</u>	<u>C2170-011</u>
<u>200-120</u>	<u>200-101</u>	<u>220-802</u>	<u>N10-005</u>	<u>1Z0-052</u>	<u>VCP510</u>	<u>C2180-319</u>
<u>300-206</u>	<u>640-911</u>	<u>BR0-002</u>	<u>SG0-001</u>	<u>1Z0-053</u>	<u>VCP550</u>	<u>C4030-670</u>
<u>300-207</u>	<u>640-916</u>	<u>CAS-001</u>	<u>SG1-001</u>	<u>1Z0-060</u>	<u>VCAC510</u>	<u>C4040-221</u>
<u>300-208</u>	<u>640-864</u>	<u>CLO-001</u>	<u>SK0-003</u>	<u>1Z0-474</u>	<u>VCP5-DCV</u>	<u>RedHat</u>
<u>350-018</u>	<u>642-467</u>	<u>ISS-001</u>	<u>SY0-301</u>	<u>1Z0-482</u>	<u>VCP510PSE</u>	<u>EX200</u>
<u>352-001</u>	<u>642-813</u>	<u>JK0-010</u>	<u>SY0-401</u>	<u>1Z0-485</u>		<u>EX300</u>
<u>400-101</u>	<u>642-832</u>	<u>JK0-801</u>	<u>PK0-003</u>	<u>1Z0-580</u>		
<u>640-461</u>	<u>642-902</u>			<u>1Z0-820</u>		

