



Exam Code: 000-633

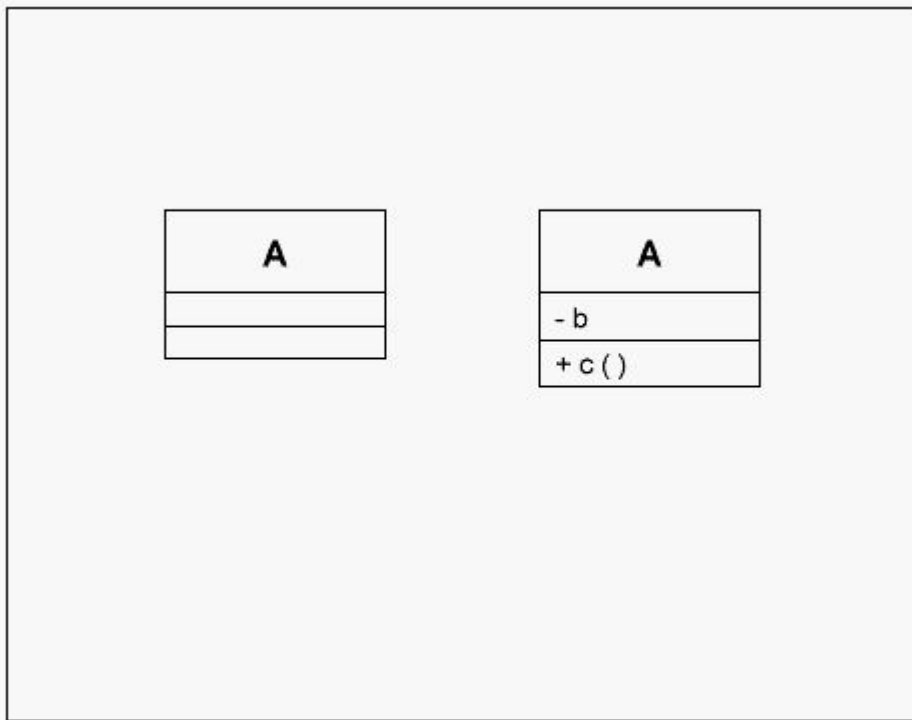
Exam Name: Rational-object oriented analysis and design-part1

Vendor: IBM

Version: DEMO

Part: A

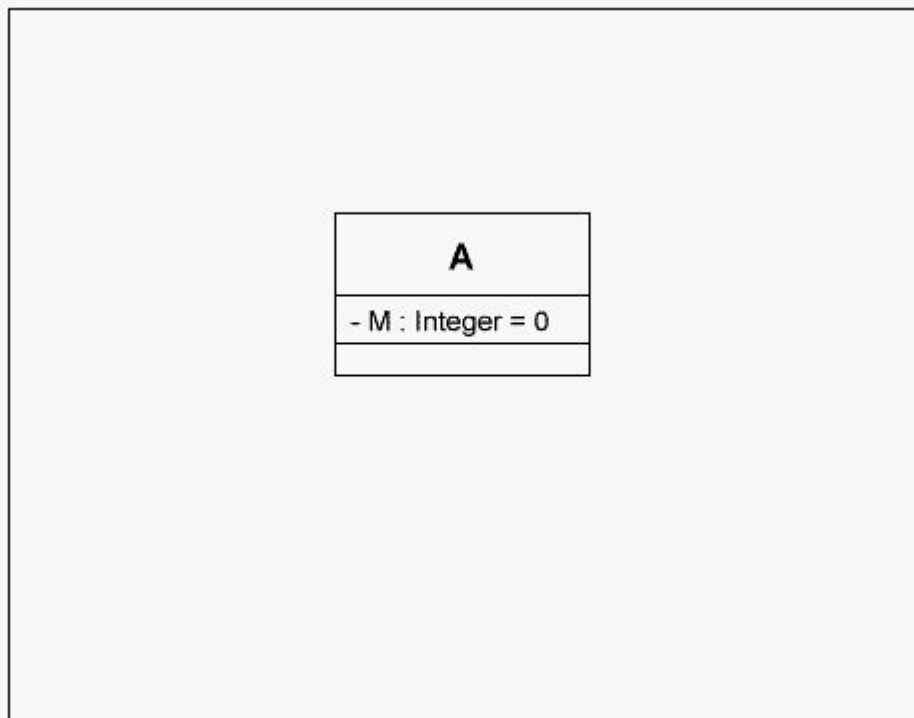
1: Click the Exhibit button below. What do the icons on the illustration represent?



- A. Two distinct objects
- B. Two distinct classes
- C. Same class
- D. Same object

Correct Answers: C

2: Click the Exhibit button below. What kind of attribute value does M represent in the diagram?



- A. Static value of 0
- B. Default value of 0
- C. Current value of 0
- D. Constant value of 0

Correct Answers: B

3: Which of the following are characteristics of a package? (Select all that apply.)

- A. Helpful in organizing classes in large models
- B. May include nested packages
- C. A logical collection of classes
- D. Always realizes an interface

Correct Answers: A B C D

4: What relationships are allowed between actors?

- A. Extend
- B. Include
- C. Realization
- D. Generalization

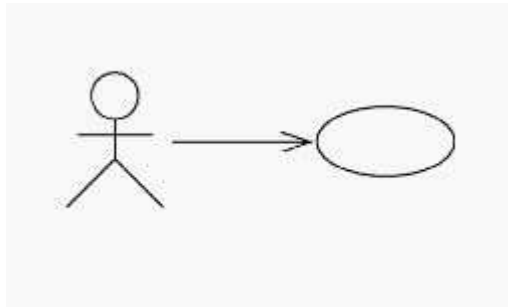
Correct Answers: D

5: What does a sequence diagram represent?

- A. Classes and their relationships
- B. The life history of a given class
- C. Relationships among use cases and scenarios
- D. All system-level interfaces
- E. Objects and the messages involved in a single scenario

Correct Answers: E

6: Click the Exhibit button below. What does this diagram show about the relationship between the actor and use case?



- A.The actor inherits behavior from the use case.
- B.The actor depends on the use case.
- C.The actor initiates the use case.
- D.The actor realizes the use case.

Correct Answers: C

7: What principle enables you to modify the implementation of a class without impacting client code?

- A.Polymorphism
- B.Encapsulation
- C.Inheritance
- D.Multiplicity
- E.Abstraction

Correct Answers: B

9: Which relationships apply between use cases? (Select all that apply.)

- A.Extend
- B.Inheritance
- C.Generalization
- D.Include

Correct Answers: A C D

10: An interface is

- A.A stereotype of a package representing the methods which exported classes in the package support.
- B.A description for the externally visible operations of a class, component, subsystem, or other entity.
- C.The public and private parts of a class.
- D.A description of the externally visible operations of a package.

Correct Answers: B

12: What statement best describes an association?

- A.A general relationship among classes indicating that the classes are connected in some way.
- B.Represented on a class diagram using a diamond symbol.
- C.Always represented on a class diagram using an arrow.
- D.A relationship from a whole to its parts.
- E.Always one-way.

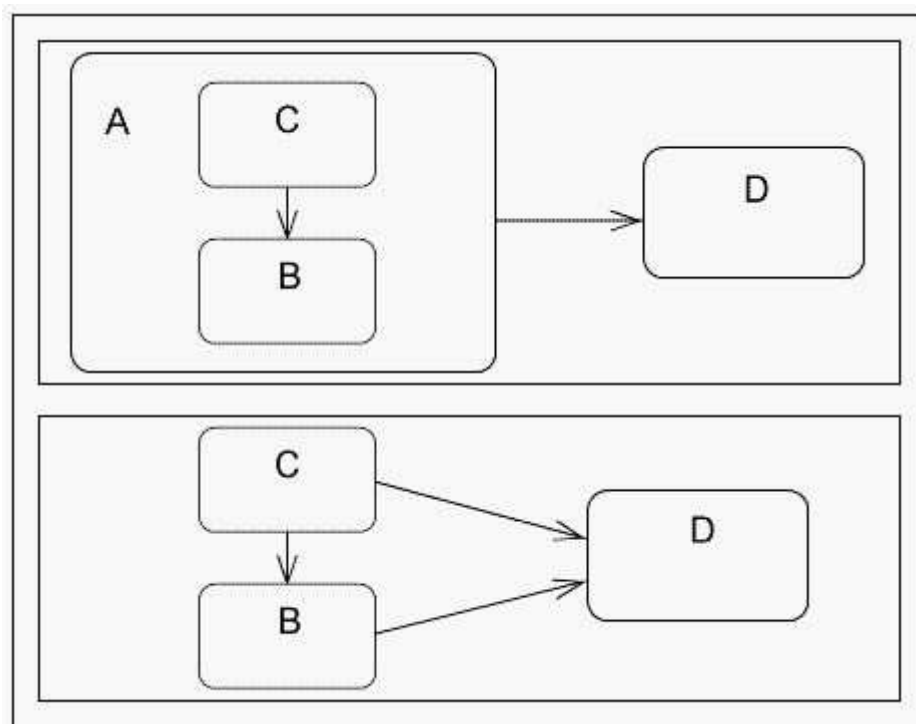
Correct Answers: A

13: What statement defines abstraction?

- A.An approach that helps us deal with complexity by emphasizing relevant characteristics and suppressing other details.
- B.The practice of separating the interface of a class from its implementation and hiding the implementation.
- C.A specialized form of association in which a whole is related to its parts.
- D.A logical collection of classes.
- E.A number of time-ordered steps or statements expressed in natural language.

Correct Answers: A

14: Click the Exhibit button below. The two statechart diagrams shown here represent the same information.



- A.True
- B.False

Correct Answers: A

16: What relationships can exist between packages? (Select all that apply.)

- A.Generalization
- B.Associations

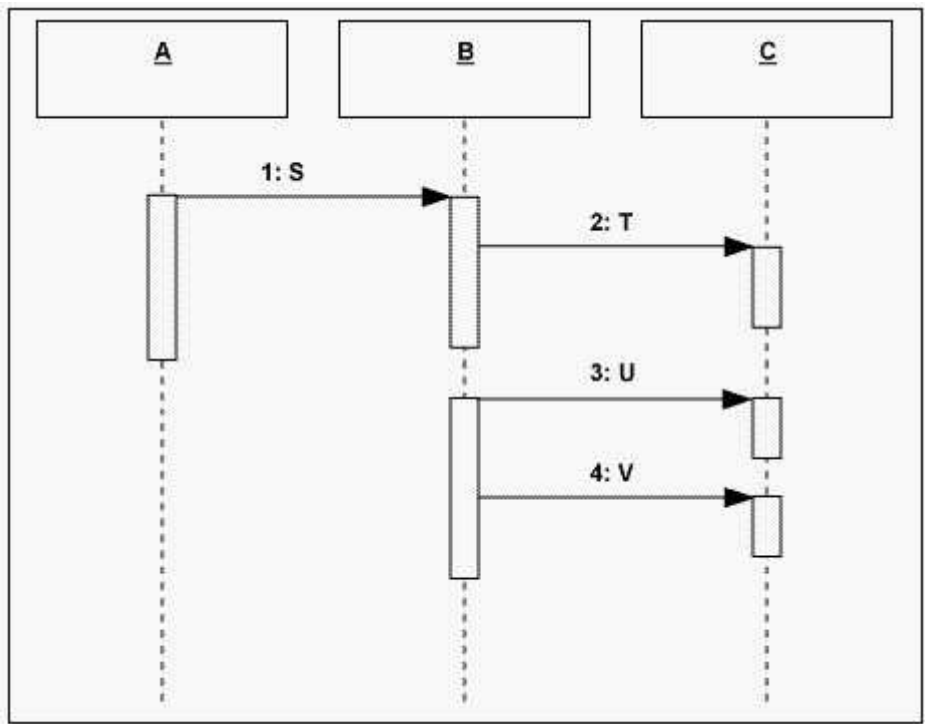
C.Aggregation

D.Dependency

Correct Answers: A B D

17: Click the Exhibit button below.

How long does A maintain control?



A.Until step 4 is completed

B.Until step 2 is complete

C.Until all steps are completed

D.Until step 3 starts

Correct Answers: B

18: What can a subclass inherit from its superclass?

A.Attributes and operations only

B.Operations only

C.Relationships only

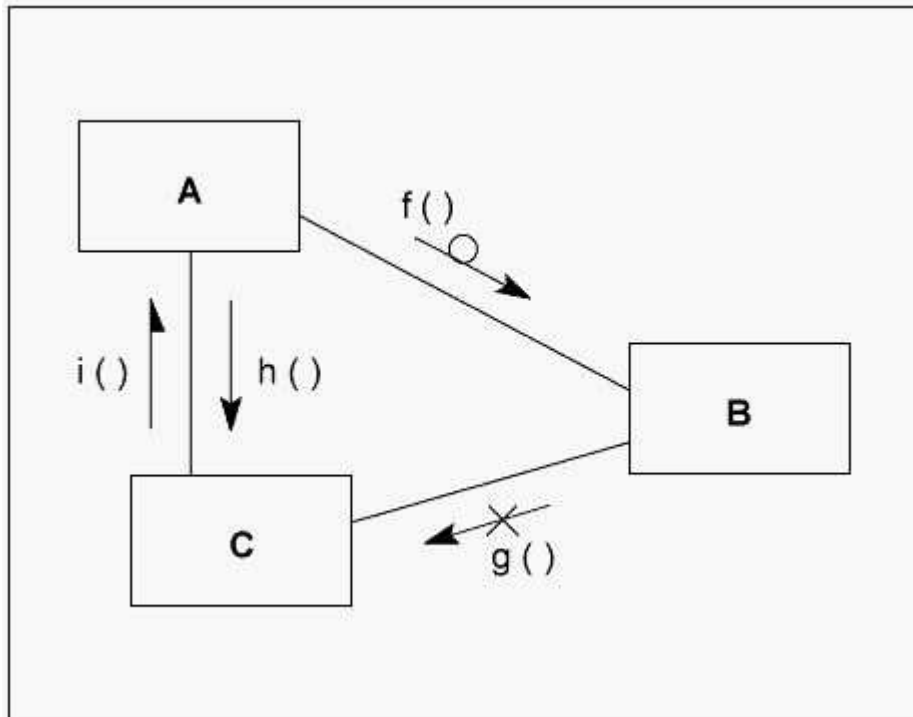
D.Attributes, operations, and relationships

E.Use cases

Correct Answers: D

19: Click the Exhibit button below.

What adornment in this figure represents simple messaging?



A.f()

B.g()

C.h()

D.i()

Correct Answers: C

20: You can specify the multiplicity of an attribute by inserting a suitable expression just after the attribute name.

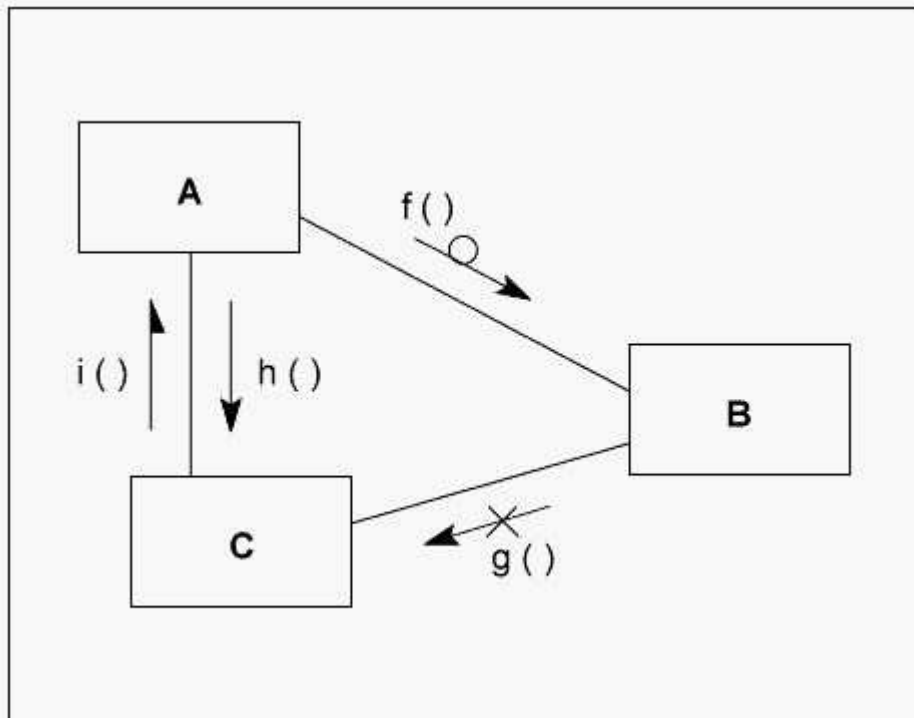
A.True

B.False

Correct Answers: A

21: Click the Exhibit button below.

What adornment in this figure represents time-out messaging?



- A.f()
- B.g()
- C.h()
- D.i()

Correct Answers: A

22: Semantically, collaboration diagrams can contain _____ compared to sequence diagrams?

- A.More information
- B.Less information
- C.The same information

Correct Answers: C