



Exam Code: 000-315

Exam Name: IBM WebSphere Message Broker v6.1,
Solution Development

Vendor: IBM

Version: DEMO

Part: A

1: There is a requirement to integrate Message Broker V6.1 with a messaging system that conforms to Java Message Service Specification V1.1. Which messaging transport should be used for integration purposes?

- A.MQ Mobile
- B.Broker JMS
- C.Web Services
- D.MQ Enterprise

Correct Answers: B

2: A Message Broker V6.1 developer is implementing a message flow with an JMSInput node, JavaCompute node and a JMSReply node. The logic in the JavaCompute node inserts a record to a database table using a JDBC Type 4 connection. Which three tasks have to be performed to ensure that the JMS, the database and the JMS transactions are synchronized?

- A.Create the JDBC connection using an XADataSource.
- B.Set the Transaction mode of the JMSInput and JMSReply nodes to Local.
- C.Set the Transaction mode of the JMSInput and JMSReply nodes to Global.
- D.Set the Backout destination of the JMSInput node to hold In-doubt transactions.
- E.Use the broker Java API getJDBCType4Connection to initiate the JDBC connection.
- F.Configure a XAResourceManager for both the JDBC and JMS connections in the broker's queue manager.

Correct Answers: C E F

3: Which component is the contract that describes to the Message Broker V6.1 developer how to build a Web service request?

- A.WSDL
- B.Namespace
- C.HTTP Header
- D.SOAP Envelope

Correct Answers: A

4: When designing an online auction store, one of the key architectural decisions made was to handle and secure Web traffic using Message Broker V6.1. Two important aspects of security need to be addressed in the solution: authentication and message integrity. Which transport node is the most appropriate for implementing this scenario?

- A.MQ
- B.TCP
- C.SOAP
- D.HTTP

Correct Answers: C

5: A Message Broker V6.1 developer builds a message flow to act as a server for an MQ based Request/Reply pattern that ends with an MQReply node. If a message is received that does not

specify a ReplyToQueue in the MQMD, what will the MQReply node do?

- A. Throw an exception.
- B. Put the message on the source queue.
- C. Put the message on the backout queue.
- D. Put the message on the dead letter queue.

Correct Answers: A

6: A Message Broker V6.1 developer receives a request to authenticate and authorize Web service requests to a message flow with username and password provided as WS-Security username tokens against a Microsoft Active Directory. Which action must be performed by the developer to fulfill this request?

- A. Set the Use HTTPS property of the SOAPInput node.
- B. Add a username token in the WS-Security table of the SOAPInput node.
- C. Add a username and a password as user-defined SOAP headers of the SOAPInput node.
- D. Nothing, the Message Broker administrator that deploys the message associates the right security profile.

Correct Answers: D

7: A Message Broker V6.1 developer needs to put an HTTP input message onto an MQ queue for downstream processing. After clearing the HTTP headers, what is the simplest way to build an MQMD?

- A. Write ESQL code to construct an MQMD.
- B. Let the MQOutput node build a default MQMD.
- C. Use the SOAPExtract node to build an MQMD.
- D. Use the ResetContentDescriptor node to build an MQMD.

Correct Answers: B

8: A Message Broker V6.1 developer has been asked to develop a message flow that picks up a file every minute from ftp server ftp.acme.com with ftpuser as the username and Pa\$\$w0rd as the password. The developer has added a FileInput node to the message flow. Which three other tasks need to be performed?

- A. Set Polling interval of FileInput node to: 60.
- B. Set ftp.acme.com as FTP server on FileInput node.
- C. Set ftpuser as Security identity on FileInput node.
- D. Set ftpuser/Pa\$\$w0rd as Security identity on FileInput node.
- E. Issue the "mqsisetdbparms MY_BROKER -n ftp::ftpuser -u ftpuser -p Pa\$\$w0rd" runtime command.
- F. Issue the "mqsicreateconfigurable service MY_BROKER -c TCPIPService -o 1452" runtime command.

Correct Answers: B C E

9: A Message Broker V6.1 developer wants to create a message flow that will act as a Web service. What does the developer need to utilize to assure the message elements are uniquely identifiable by the message flow parser?

- A.WSDL
- B.Namespace
- C.HTTP Header
- D.SOAP Envelope

Correct Answers: B

10: A Message Broker V6.1 developer has been asked to develop a message flow to route SOAP/HTTP-based Web service requests to the appropriate provider without access to the WSDL of the providers. Which set of built-in nodes is the most appropriate for implementing this message flow?

- A.An HTTPInput node, a Route node, an HTTPRequest node and an HTTPReply node.
- B.A SOAPInput node, an EndpointLookup node, a SOAPRequest node and a SOAPReply node.
- C.A SOAPInput node, a DatabaseRetrieve node, a SOAPRequest node and a SOAPReply node.
- D.An HTTPInput node, a DatabaseRetrieve node, an HTTPRequest node and an HTTPReply node.

Correct Answers: D

11: A flow is being developed to interact with an EIS system using one of the native adapter nodes. As part of the development process, which artifacts should be dragged onto the flow editor canvas to create the flow template?

- A.WSDL
- B.Business Object
- C.Message Definition
- D.Adapter Connection

Correct Answers: D

12: A message flow has been developed to receive a record with an MQInput node and store it by appending it to a local file using the FileOutput node. When the message flow is tested by sending five test messages, only the record from the last message gets stored in the local file. What is the most probable cause of this behavior?

- A.The file already exists in the mqsitransit directory.
- B.The FileOutput node does not support appending data to an existing file.
- C.The developer did not connect the Finish File terminal of the FileOutput node.
- D.The Record definition property of the FileOutput node is set to "Record is Whole File".

Correct Answers: D

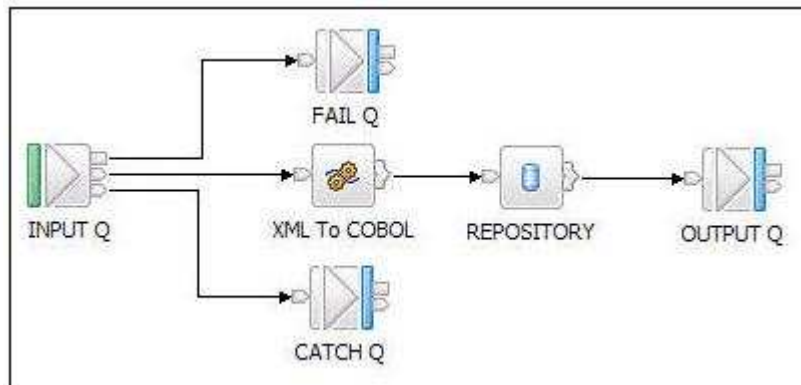
13: A developer who is very familiar with writing XPath expressions in the mapping editor has been asked to convert several of the company's current message flows. The message flows use mappings to do message transformation to message flows which use Java to do transformations. Which method call should be used to help the developer more quickly write code to access messages?

- A.callXPath
- B.processXPath
- C.mappingXPath

D.evaluateXPath

Correct Answers: D

14: The message flow shown in the Exhibit has been deployed to broker ROUTE_BRKR. The broker's queue manager does not have a Dead Letter Queue nor a Backout Requeue Queue defined. Error messages are being written to the local error log reporting there has been a problem with writing failing persistent messages to queue CATCH.Q used by the CATCH Q node. The MQMD.BACKOUTCOUNT equals 11 and the Backout threshold equals 5. In which location should the developer find the failing message?



- A.SYSTEM.DEAD.LETTER.QUEUE
- B.The queue defined by the FAIL Q node
- C.The queue defined by the INPUT Q node
- D.In no location, the message is discarded

Correct Answers: C

15: A Message Broker V6.1 developer needs to work with a multipart message that exploits the MIME standard. Which two mechanisms can be used to parse the content of the MIME parts?

- A.Extract node
- B.Validate node
- C.ASBITSTREAM function
- D.ResetContentDescriptor node
- E.ESQL to parse the individual parts

Correct Answers: D E

16: A Message Broker V6.1 message flow must invoke one out of five different Web services depending on the content of the input message. Which implementation is the most appropriate to determine the service provider?

- A.Use a Filter node.
- B.Establish a filter pattern in a Route node.
- C.Dynamically route by using a RouteToLabel node.
- D.Include a Compute node to filter based upon ESQL code.

Correct Answers: B

17: A message flow developer is familiar with using XPath. The developer must implement a flow

that transforms a message from a COBOL copybook format into a SOAP message. Which two nodes should the developer use to perform the transformation using XPath?

- A.Mapping
- B.Extract
- C.JavaCompute
- D.MQJMSTransform
- E.JMSMQTransform

Correct Answers: A C

18: A message flow has been developed with a HTTPInput node (with XMLNSC as Message domain), a Compute node (with the ESQL-snippet below) and a HTTPReply node. The message shown in the Exhibit has been posted to the message flow.

```
DECLARE myRef REFERENCE TO InputRoot.XMLNSC.RoutingMsg.Body.Items[3];
```

```
MOVE myRef NEXTSIBLING;
```

```
SET OutputRoot.XMLNSC.Test.Name = myRef.Name;
```

What is the payload returned to the HTTP client?

```
<RoutingMsg>
  <Header>
    <DateTime>'06-30-2008'</DateTime>
    <MsgType>Routing</MsgType>
    <MsgId>0000014323</MsgId>
  </Header>
  <Body>
    <Name>Joe Smith</Name>
    <Address>1234 Villa Rd</Address>
    <Items Name="3 in Galvanized Lag Bolt">
      <Quantity>100</Quantity>
      <Price>0.30</Price>
    </Items>
    <Items Name="Galvanized Washers">
      <Quantity>500</Quantity>
      <Price>0.05</Price>
    </Items>
    <Items Name="Galvanized Lock Washers">
      <Quantity>2000</Quantity>
      <Price>0.10</Price>
    </Items>
    <Totals>255</Totals>
    <Shipping Cost="5.95"></Shipping>
  </Body>
</RoutingMsg>
```

- A.<Test/>
- B.<Test Name="Galvanized Washers"/>
- C.<Test Name="Galvanized Lock Washers"/>
- D.<Test><Name>Galvanized Lock Washers</Name></Test>

Correct Answers: A

19: Which node is used to retrieve the WSDL port from WebSphere Service Registry and Repository that could be used by a message flow to dynamically set the output destination?

- A.SOAPRequest
- B.HTTPRequest

C.RegistryLookup

D.EndpointLookup

Correct Answers: D

20: To meet business requirements, a message flow was developed to route activities based upon the account identifier which contains the value 'Wealth Management'. The flow was developed using a Route node. Given the filter expressions that have been configured in this node, multiple expressions may be matched for any particular message. Which configurable property of the Route node would control whether only one or all matching expressions are satisfied?

A.Filters

B.Operator

C.Distribution mode

D.Match dynamic terminal

Correct Answers: C