



**Vendor: Cisco**

**Exam Code: 640-864**

**Exam Name: Designing for Cisco Internetwork Solutions**

**Version: Demo**

**QUESTION 1**

Which consideration is the most important for the network designer when considering IP routing?

- A. convergence
- B. scalability
- C. on-demand routing
- D. redistribution

**Correct Answer: A**

**QUESTION 2**

You want to gather as much detail as possible during a network audit, to include data time stamping across a large number of interfaces, customized according to interface, with a minimal impact on the network devices themselves. Which tool would you use to meet these requirements?

- A. RMON
- B. SNMPV3
- C. NetFlow
- D. Cisco Discovery Protocol

**Correct Answer: C**

**QUESTION 3**

DataQuirk is a web-based medical transcription company for exotic-animal veterinarians. The company recently added a third ISP for international business. They are organizing the enterprise network into a fully operational Enterprise Edge. To which two modules will the three ISPs be directly related? (Choose two)

- A. PSTN
- B. E- Commerce
- C. WAN/MAN
- D. Edge Distribution
- E. Internet Connectivity
- F. Remote Access VPN

**Correct Answer: BE**

#### QUESTION 4

Which two of these practices are considered to be best practices when designing the access layer for the enterprise campus? (Choose two)

- A. Implement all of the services (QoS, security, STP, and so on) in the access layer, offloading the work from the distribution and core layers.
- B. Always use a Spanning Tree Protocol; preferred is Rapid PVST+.
- C. Use automatic VLAN pruning to prune unused VLANs from trunked interface to avoid broadcast propagation.
- D. Avoid wasted processing by disabling STP where loops are not possible.
- E. Use VTP transparent mode to decrease the potential for operational error.

**Correct Answer: BE**

#### QUESTION 5

With deterministic Wireless LAN Controller redundancy design, the different options available to the designer have their own strengths. Which one of these statements is an example of such a strength?

- A. Dynamic load balancing, or salt-and-pepper access point design, avoids the potential impact of oversubscription on aggregate network performance.
- B. N+N redundancy configuration allows logically grouping access points on controllers to minimize intercontroller roaming events.
- C. N+N+1 redundancy configuration has the least impact to system management because all of the controllers are collocated in an NOC or data center
- D. N+1 redundancy configuration uses Layer 3 intercontroller roaming, maintaining traffic on the same subnet for more efficiency.

**Correct Answer: B**

#### QUESTION 6

Which of these statements is true concerning the data center access layer design?

- A. The access layer in the data center is typically built at Layer 3, which allows for better shaping of services across multiple servers.
- B. With Layer 2 access, the default gateway for the servers can be configured at the access or aggregation layer.
- C. A dual-homing NIC requires a VLAN or trunk between the two access switches to support the dual IP address on the two server links to two separate switches.
- D. The access layer is normally not required, as dual homing is standard from the servers to the aggregation layer.

**Correct Answer: B**

**QUESTION 7**

Which one of these statements should the designer keep in mind when considering the advanced routing features?

- A. One-way router redistribution avoids the requirement for state or default routes.
- B. Redistribution, summarization, and filtering are most often applied between the campus core and enterprise edge.
- C. Filtering only occurs on the routing domain boundary using redistribution.
- D. Summarize routes at the core toward the distribution layer.
- E. The hierarchical flexibility of IPv6 addressing avoids the requirement for routing traffic reduction using aggregation.

**Correct Answer: B**

**QUESTION 8**

Which two statements about designing the Data Center Access layer are correct? (Choose two)

- A. Multiport NIC servers should each have their own IP address
- B. Layer 3 connectivity should never be used in the access layer
- C. Layer 2 connectivity is primarily implemented in the access layer
- D. Multiport NIC servers should never be used in the access layer
- E. Layer 2 clustering implementation requires servers to be Layer 2 adjacent

**Correct Answer: CE**

**QUESTION 9**

Which IPv6 feature enables routing to distribute connection requests to the nearest content server?

- A. Link-local
- B. Site-local
- C. Anycast
- D. Multicast
- E. Global aggregatable

**Correct Answer: C**

**QUESTION 10**

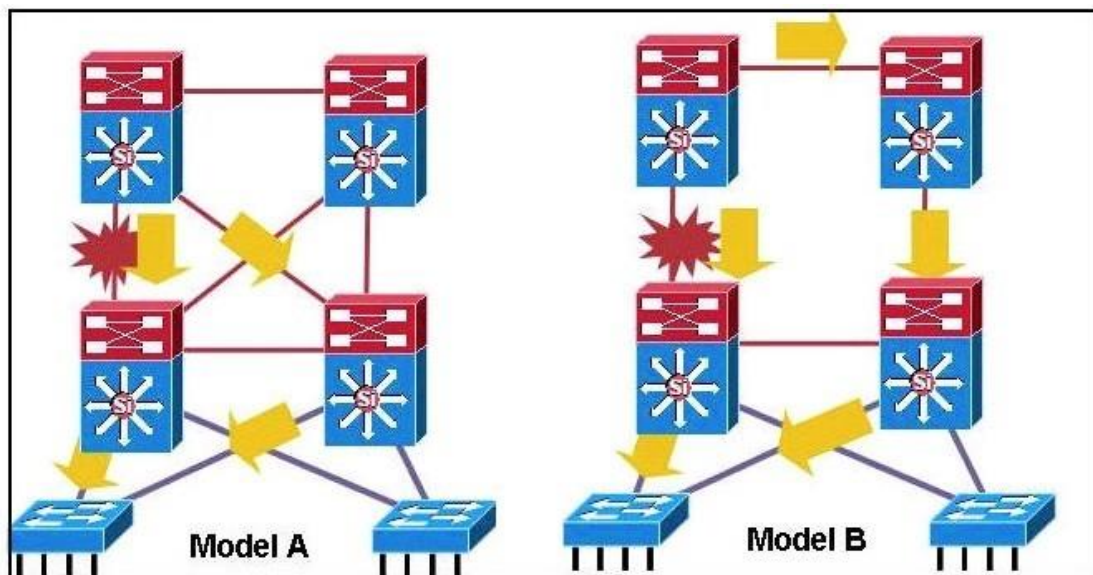
Which one of these statements is true about addressing redundancy within the WAN environment?

- A. The reliability and speed of DSL allow for cost savings by not including redundant links.
- B. CAMDM and dark fiber offer advanced redundancy features such as automatic backup and repair mechanism to cope system faults.
- C. An SLA is one way to eliminate the need for redundancy.
- D. The failure of a single SONET/SDH link or network element does not lead to failure of the entire network.

**Correct Answer: D**

**QUESTION 11**

Refer to the exhibit. Model A is the recommended design for routing between Building Distribution switches and Campus Core switches. Which two statements describe the reasons? (Choose two)



- A. Model A uses timer-based non-deterministic convergence.
- B. Model A uses timer-based, providing fast convergence to the remaining path.
- C. In Model A, a link or box failure does not require routing protocol convergence.
- D. In Model A, the Layer 3 redundant equal cost links support fast convergence.

**Correct Answer: CD**

**QUESTION 12**

Which one of these statements is true concerning the enterprise data center?

- A. It can be located either at the enterprise campus or at a remote branch.
- B. Remote data center connectivity requirements align with the small office design.
- C. The data center designs will differ substantially depending on whether the location is on campus or remote.
- D. A remote branch with a data center becomes the enterprise campus.

**Correct Answer: C**

**QUESTION 13**

Which Cisco security management solution provides the means to identify, isolate, and counter security threats to the network?

- A. Adaptive Security Device Manager
- B. Intrusion Prevention Device Manager
- C. Security Device Manager
- D. Cisco Security Manager
- E. Cisco Security Monitoring, Analysis, and Response System

**Correct Answer: E**

**QUESTION 14**

A global corporation has an internal network with the following characteristics:

- 2,000,000+ hosts
- 10,000 + routers
- Internal connectivity
- high traffic volumes with business partners and customers

Which statement best describes what a flexible IPv6 strategy would look like for this corporation?

- A. Both hosts and routers would run dual stack
- B. Hosts would run IPv4 and routers would run native IPv6
- C. Hosts would run dual stack and routers would run IPv4 only
- D. Hosts would run IPv6 and routers would run native IPv6

**Correct Answer: A**

**QUESTION 15**

Which of these is the best routing deployment for a single dedicated link to an ISP for Internet access?

- A. EIGRP
- B. RIP
- C. BGP
- D. Static
- E. OSPF

**Correct Answer: D**

**QUESTION 16**

In terms of remote office design, which one of these statements is a characteristics only of a small remote office (up to 50 user), and not of medium or remote offices?

- A. Link redundancy to access layer switches is not possible with an integrated design.
- B. A collapsed access and distribution layer is required.
- C. There are no loops in the network design.
- D. Layer 3 services such as DHCP, firewall, and NAT are provided by enterprise campus.

**Correct Answer: C**

**QUESTION 17**

Which two statements about the data Center Aggregation layer are correct? (Choose two)

- A. Layer 4 through layer 7 services are provided in that layer
- B. STP should never be supported in that layer
- C. That layer is the critical point for control and application services
- D. Layer 2 connectivity is provided in that layer from the data center to the core

**Correct Answer: AC**

**QUESTION 18**

According to Cisco, which four improvements are the main benefits of the PPDIOO lifecycle approach to network design? (Choose four)

- A. faster ROI
- B. improved business agility
- C. increased network availability
- D. faster access to applications and services

- E. lower total cost of network ownership
- F. better implementation team engagement

**Correct Answer: BCDE**

#### **QUESTION 19**

With respect to IPv6 addressing, from a design perspective, which of these statements is it important to keep in mind?

- A. IPv6 addressing provides convenience of anycast addressing without any configuration requirements.
- B. IPv6 does not use multicast addressing.
- C. An IPv6 router will not forward packets from one link to other links if the packet has either a link-local source or a link-local destination address.
- D. Dynamic address assignment requires DHCPv6.

**Correct Answer: C**

#### **QUESTION 20**

When designing the infrastructure protection portion for the enterprise edge, which of these solutions would be the most appropriate solution to consider?

- A. 802.1X
- B. ACLs in the core layer
- C. Cisco Security MARS
- D. AAA

**Correct Answer: D**

#### **QUESTION 21**

What is primary consideration when choosing a routed network design over a traditional campus network design?

- A. Layer 3 service support at the network edge
- B. the routing protocol choice: open (OSPF) or proprietary (EIGRP)
- C. the routing abilities of the host devices
- D. the need to control the broadcast domains within the campus core

**Correct Answer: A**



**QUESTION 22**

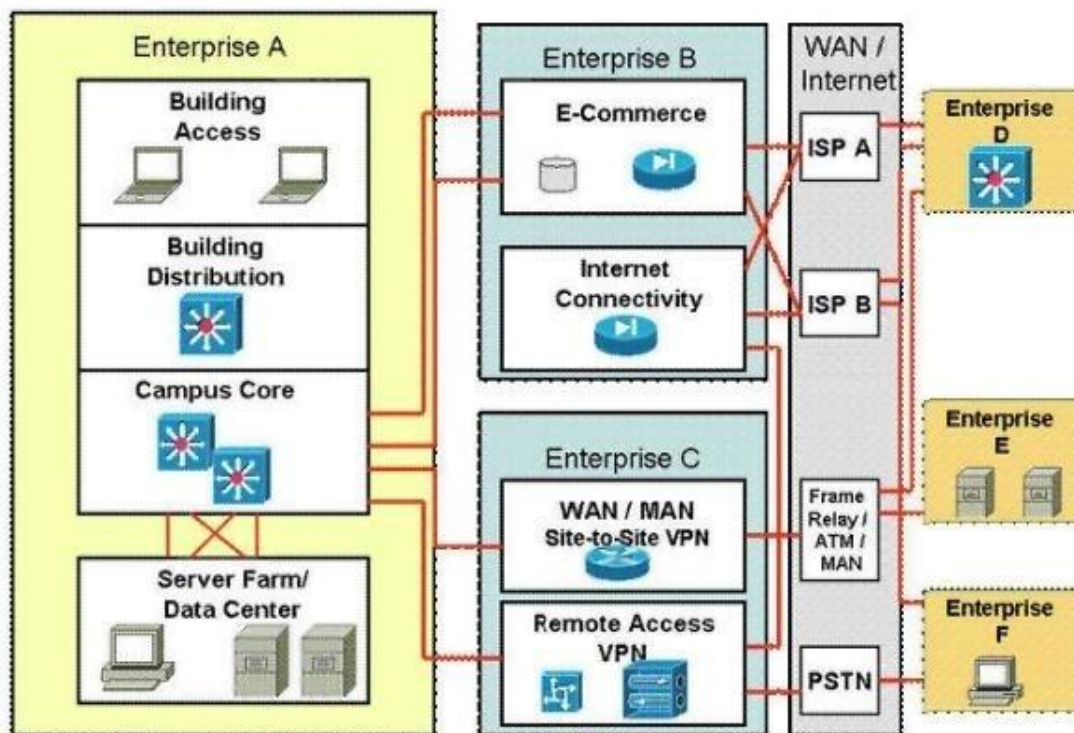
Which two statements best describe an OSPF deployment? (Choose two)

- A. ABR provides automatic classful network boundary summarization.
- B. ABR requires manual configuration for classful network summarization
- C. External routes are propagated into the autonomous system from stub areas via ASBR.
- D. External routes are propagated into the autonomous system from regular areas or NSSA via ASBR.
- E. External routes are propagated into the autonomous system from regular areas or NSSA via ABR.

**Correct Answer: BD**

**QUESTION 23**

Refer to the exhibit. Which module is the Enterprise WAN module?



- A. Enterprise A
- B. Enterprise B
- C. Enterprise C
- D. Enterprise D
- E. Enterprise E
- F. Enterprise F

**Correct Answer: C**

**QUESTION 24**

A large enterprise requires sensitive information be transmitted over a public infrastructure. It requires confidentiality, integrity, and authenticity. Which security solution best meets these requirements?

- A. Cisco IOS Firewall
- B. Intrusion Prevention
- C. IPSec
- D. AAA
- E. Traffic Guard Protector
- F. SECURE CONECTIVITY

**Correct Answer: C**

**QUESTION 25**

There are a number of advantages to using virtualization within the data center module. Which the following two are samples of these advantages?

- A. Virtualization consolidates many low-performance devices into a few high-performance devices, providing a more efficient utilization of hardware and increasing the price/performance ratio.
- B. Virtualization compartmentalizes a single device into a few high-performance devices, providing a more efficient utilization of hardware and increasing the price/performance ratio.
- C. Dynamic forcibility eliminates the need to add, reassign, or repurpose resources in the system.
- D. Virtualization separates user via different physical networks into groups with visibility into only their logical network.
- E. Virtualization provides distinct security policies per physical device.

**Correct Answer: AD**

**QUESTION 26**

When selecting which hardware switches to use throughout an enterprise campus switched network, which consideration is not relevant?

- A. whether data link layer switching based the MAC address is required
- B. the number of shared media segments
- C. which infrastructure service capabilities are required
- D. whether to support Layer 3 services at the network edge.

**Correct Answer: B**

**QUESTION 27**

Layer 2 switching is exclusively used in which Enterprise Campus Module layer?

- A. Server Farm
- B. Campus Core
- C. Building Access
- D. Building Distribution
- E. Internet Connectivity

**Correct Answer: C**

**QUESTION 28**

Which one of these statements describes why, from a design perspective, a managed VPN approach for enterprise teleworkers is a most effective?

- A. A managed VPN solution uses a cost effective, on-demand VPN tunnel back to the enterprise
- B. This solution supports all teleworkers who do not require voice or video
- C. This architecture provides centralized management where the enterprise can apply security policies and push configurations.
- D. It provides complete flexibility for remote access through a wireless hotspot or a guest network at a host, in addition to a home office.

**Correct Answer: C**

**QUESTION 29**

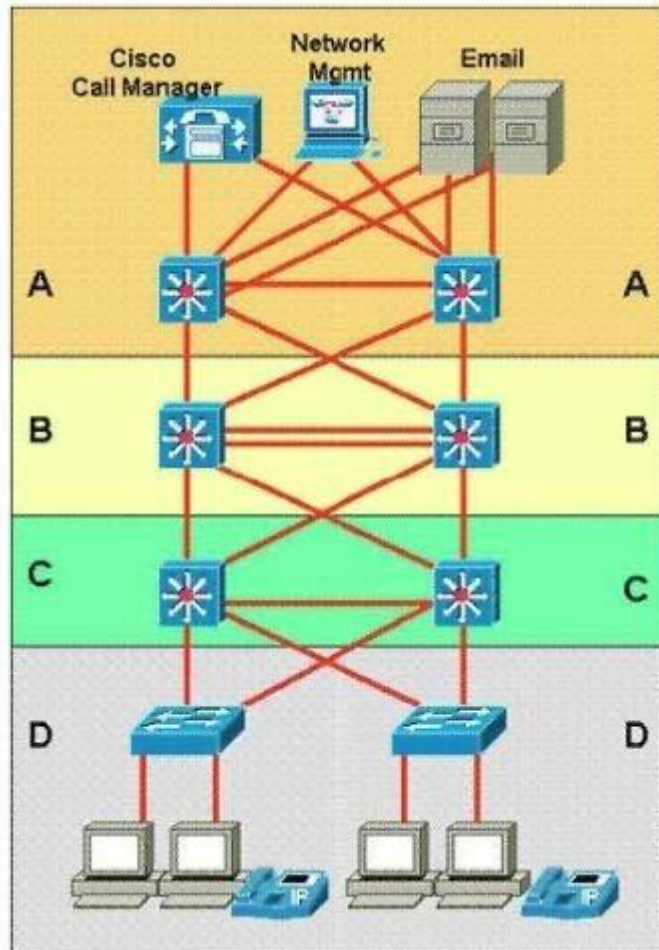
Which one of these statements is true when considering the design of voice and video services for the enterprise campus network?

- A. Access layer switches should support 802.1Q trunking and 802.1p for Layer 2 CoS packet marking on Layer 2 ports with IP phones connected.
- B. Combining voice and data and a single VLAN simplifies QoS trust boundaries, VLAN access control, and ease of management.
- C. Data devices will also require access to priority queues via packet tagging.
- D. Fixed network delays (serialization, propagation, and so on) are generally unpredictable and more difficult to calculate than variable network delays.

**Correct Answer: A**

**QUESTION 30**

Refer to the exhibit. Which two statements correctly identify the layers of the Enterprise Campus module? (Choose two)

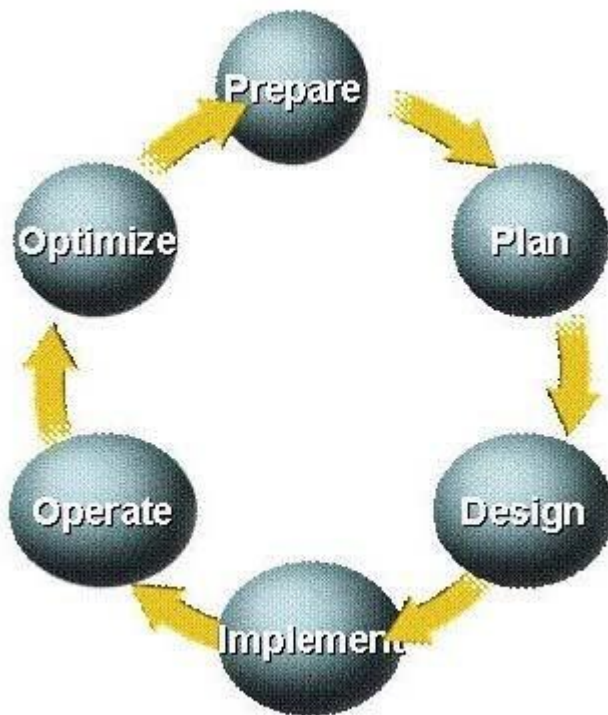


- A. A is the Data Center Module and C is the Campus Core layer
- B. A is the Data Center Module and D is the Building Access layer
- C. B is the Campus Core layer and C is the Building Distribution layer
- D. B is the Building Distribution layer and C is the Campus Core layer
- E. A is the Internet Connectivity layer and B is the Campus Core layer
- F. B is the Building Distribution layer and D is the Building Access layer

**Correct Answer: BC**

**QUESTION 31**

Refer to the exhibit. During which stage of the PPDIIO process are implementation procedures prepared?



- A. Prepare
- B. Plan
- C. Design
- D. Implement
- E. Operate
- F. Optimize

**Correct Answer: C**

**QUESTION 32**

Which statement describes the recommended deployments of IPv4 addressing in the Cisco Network Architecture for the Enterprise?

- A. private addressing throughout with public addressing in the Internet Connectivity module
- B. private addressing throughout with public addressing in the Internet Connectivity and E-Commerce modules
- C. private addressing throughout with public addressing in the Internet Connectivity, E-Commerce, and Remote Access and VPN modules
- D. private addressing throughout with public addressing in the Internet Connectivity, E-Commerce, and Enterprise Branch modules

**Correct Answer: C**

**QUESTION 33**

For which network scenario is static routing most appropriate?

- A. parallel WAN links
- B. IPSec VPN
- C. expanding networks
- D. hierarchical routing

**Correct Answer: B**

**QUESTION 34**

When considering the three VoIP design models single site, centralized multisite, and distributed multisite which question below would help to eliminate one of these questions?

- A. Will the switches be required to provide inline power?
- B. Will users need to make off site calls, beyond the enterprise?
- C. Will users require applications such as voice mail and interactive voice response?
- D. Are there users whose only enterprise access is via a QoS-enabled WAN?

**Correct Answer: D**

**QUESTION 35**

Which aspect would most likely be found in the draft design document?

- A. a list of QoS requirements
- B. a note that there are no segments with more than 70 percent broadcast or multicast traffic
- C. the level of redundancy or high availability that currently exists or is required in the network
- D. the list of network infrastructure services which are in use, such as voice and video

**Correct Answer: A**

**QUESTION 36**

Your company's Cisco routers are operating with EIGRP. You need to join networks with an acquisition's heterogeneous routers at 3 sites, operating with EIGRP and OSPF. Which describes the best practice for routing protocol deployment?

- A. apply OSPF throughout both networks
- B. apply one-way redistribution exclusively at each location
- C. apply two way redistribution exclusively at each location

- D. apply two-way redistribution at each location with a route filter at only one location
- E. apply two-way redistribution at each location with a route filter at each location
- F. apply EIGRP with the same autonomous system throughout both networks

**Correct Answer: E**

#### QUESTION 37

When considering the enterprise campus design, which network application category most influences the network design?

- A. peer-to-peer
- B. client-local server
- C. client-enterprise edge server
- D. client-server farm

**Correct Answer: D**

#### QUESTION 38

Which two link state routing protocols support IPv6 routing? (Choose two)

- A. BGP4+
- B. OSPF
- C. RIPng
- D. EIGRP
- E. IS-IS

**Correct Answer: BE**

#### QUESTION 39

When designing the wireless portion of an enterprise campus network, which one of these statements should serve as a strict guideline?

- A. Wireless controllers should be distributed throughout the building distribution layers
- B. Dynamic controller redundancy, where the access points attempt to join the least loaded controller, is a best-practice approach.
- C. Wireless controllers should be centralized in the core layer
- D. To improve the RF coverage, the controllers of any building should be put in the same mobility group.

**Correct Answer: C**

**QUESTION 40**

When designing using the Cisco Enterprise Architecture, in which Enterprise Campus layer does the remote Access and VPN module establish its connection?

- A. Building Access
- B. Campus Core
- C. Enterprise Branch
- D. Enterprise Data Center

**Correct Answer: B**



## EnsurePass.com Members Features:

1. Verified Answers researched by industry experts.
2. Q&As are downloadable in PDF and VCE format.
3. 98% success Guarantee and **Money Back** Guarantee.
4. Free updates for **180** Days.
5. **Instant Access to download the Items**

View list of All Exam provided:

<http://www.ensurepass.com/certifications?index=A>

To purchase Lifetime Full Access Membership click here:

<http://www.ensurepass.com/user/register>

**Valid Discount Code for 2015: JREH-G1A8-XHC6**

To purchase the HOT Exams:

<u>Cisco</u>		<u>CompTIA</u>		<u>Oracle</u>	<u>VMWare</u>	<u>IBM</u>
<a href="#">100-101</a>	<a href="#">640-554</a>	<a href="#">220-801</a>	<a href="#">LX0-101</a>	<a href="#">1Z0-051</a>	<a href="#">VCAD510</a>	<a href="#">C2170-011</a>
<a href="#">200-120</a>	<a href="#">200-101</a>	<a href="#">220-802</a>	<a href="#">N10-005</a>	<a href="#">1Z0-052</a>	<a href="#">VCP510</a>	<a href="#">C2180-319</a>
<a href="#">300-206</a>	<a href="#">640-911</a>	<a href="#">BR0-002</a>	<a href="#">SG0-001</a>	<a href="#">1Z0-053</a>	<a href="#">VCP550</a>	<a href="#">C4030-670</a>
<a href="#">300-207</a>	<a href="#">640-916</a>	<a href="#">CAS-001</a>	<a href="#">SG1-001</a>	<a href="#">1Z0-060</a>	<a href="#">VCAC510</a>	<a href="#">C4040-221</a>
<a href="#">300-208</a>	<a href="#">640-864</a>	<a href="#">CLO-001</a>	<a href="#">SK0-003</a>	<a href="#">1Z0-474</a>	<a href="#">VCP5-DCV</a>	<a href="#">RedHat</a>
<a href="#">350-018</a>	<a href="#">642-467</a>	<a href="#">ISS-001</a>	<a href="#">SY0-301</a>	<a href="#">1Z0-482</a>	<a href="#">VCP510PSE</a>	<a href="#">EX200</a>
<a href="#">352-001</a>	<a href="#">642-813</a>	<a href="#">JK0-010</a>	<a href="#">SY0-401</a>	<a href="#">1Z0-485</a>		<a href="#">EX300</a>
<a href="#">400-101</a>	<a href="#">642-832</a>	<a href="#">JK0-801</a>	<a href="#">PK0-003</a>	<a href="#">1Z0-580</a>		
<a href="#">640-461</a>	<a href="#">642-902</a>			<a href="#">1Z0-820</a>		

