



**Exam Code:** 000-742

**Exam Name:** Ibm open systems storage solutions version  
4

**Vendor:** IBM

**Version:** DEMO

## Part: A

1: A customer has a single controller IBM TotalStorage DS4300 Storage Server. What is the maximum number of expansion drawers that can be attached?

- A.0
- B.3
- C.7
- D.16

**Correct Answers: A**

2: A customer has a requirement for 9 TB of data to be stored onto tape. If the customer wants the most cost-effective LTO3 solution, the best technology choice would be:

- A.IBM TotalStorage 3581 Tape Autoloader.
- B.IBM TotalStorage 3582 Tape Library.
- C.IBM TotalStorage 3583 Tape Library.
- D.IBM TotalStorage 3584 Tape Library.

**Correct Answers: B**

3: A customer mentions that they are evaluating Advanced Intelligent Tape (AIT) for their open server environment. Which of the following best describes AIT technology?

- A.4mm
- B.Linear recording
- C.Helical scan recording
- D.IBM TotalStorage 3592 compatible tape

**Correct Answers: C**

4: A customer needs to limit the total time it takes to back up an existing database. Which of the following is NOT required to understand the customer requirements?

- A.The amount of data to be backed up
- B.The kind of data being backed up
- C.The maximum desired time the backup process should take
- D.The number of days backups are scheduled

**Correct Answers: D**

5: A customer has a heterogeneous environment that is backed up using IBM Tivoli Storage Manager attached to a tape silo. Due to network congestion, the expanding data within the environment can no longer be backed up within the time available. The data growth is expected to increase rapidly over the next few months. The average recovery window for this environment is currently estimated at 72 hours. Which of the following options would resolve the network problem?

- A.Install an IBM TotalStorage NAS Gateway 500.
- B.Utilize LAN free backups over the SAN.
- C.Install iSCSI to improve block I/O throughput.
- D.Increase the number of tape drives within the silo.

**Correct Answers: B**

6: A customer owns a 150 GB usable RAID 5 SCSI disk subsystem attached to a single host and wants to increase data throughput, reliability, availability, and serviceability. Cost is a significant consideration. Which of the following is most likely to satisfy all of these requirements?

- A.Convert the RAID 5 subsystem to a RAID 1 subsystem.
- B.Convert the existing subsystem to dual-attached SCSI.
- C.Replace the existing subsystem with an IBM TotalStorage DS4000 Storage Server.
- D.Replace the existing subsystem with an IBM TotalStorage DS8000 Storage Server.

**Correct Answers: C**

7: A distributor is planning to open five locations, with each location requiring a local nightly backup of 500 GB of data from a Sun server. Performance and cost are key requirements. Which of the following is the best solution?

- A.IBM TotalStorage 3581 Tape Autoloader
- B.IBM TotalStorage 3590 Model H11 Tape Drive
- C.IBM TotalStorage 3592 Model J1A Tape Drive
- D.IBM TotalStorage 7205 Model 550 External SDLT320 Tape Drive

**Correct Answers: A**

8: A customer is currently running a mail server application and is interested in a new storage subsystem. Which of the following will have the most impact in sizing the subsystem?

- A.Record size
- B.Logical volume partitioning
- C.Data security
- D.Number of users

**Correct Answers: D**

9: A large customer environment consists of 16 Intel-based servers that support electronic mail. The servers have exceeded their disk storage capacity and the customer would like to centralize disk storage. Which of the following solutions should be recommended?

- A.IBM TotalStorage NAS Gateway 500
- B.IBM TotalStorage SAN Volume Controller
- C.IBM TotalStorage DS4000 Storage Server
- D.IBM Tivoli Storage Manager for Space Management

**Correct Answers: C**

10: A customer is running a SAP R/3 application using Oracle Parallel Server as the database manager on an IBM eServer pSeries server. The customer would like two servers to share the same Oracle database. Which of the following IBM storage products would NOT be recommended to meet the customer's requirement?

- A.IBM TotalStorage EXP Plus
- B.IBM TotalStorage SAN Filesystem
- C.IBM TotalStorage NAS Gateway 500

D.IBM TotalStorage SAN Volume Controller

**Correct Answers: C**

11: A customer will be using an IBM TotalStorage DS4000 Storage Subsystem. In order to provide the highest data availability for a database server, which of the following is the most appropriate hardware RAID technology to recommend?

- A.RAID 1
- B.RAID 5
- C.RAID 10
- D.RAID 50

**Correct Answers: C**

12: A customer is migrating a 600 GB Oracle database from an older IBM eServer pSeries server to a new one. The data is on a 2 TB IBM TotalStorage Enterprise Storage Server (ESS) that is 80% full. What is the easiest way to move the data to the new server?

- A.Assign new LUNs to the new system, backup the data with the existing tape library, and restore it on the new system.
- B.Use IBM TotalStorage ESS Specialist to assign the existing LUNs to the new server and use AIX LVM importvg to acquire the existing data.
- C.Create new LUNs as targets, perform FlashCopy to those LUNs, and assign the target LUNs to the new server.
- D.Create new LUNs as targets, perform Metro Mirror to those LUNs, and assign the target LUNs to the new server.

**Correct Answers: B**

13: Which of the following is a feature of all IBM TotalStorage Ultrium tape drives?

- A.Statistical Analysis and Reporting System (SARS)
- B.Native switched fabric 2 Gb Fibre Channel interface
- C.WORM Tape
- D.64 MB buffer

**Correct Answers: A**

14: After a long competitive sales cycle, the customer has decided to implement their first centralized storage solution on the IBM TotalStorage DS4500 Storage Server. To help ensure a successful installation, which of the following should be proposed as part of the solution?

- A.Service Alert
- B.Business Continuance Services
- C.3-Year Warranty Service Upgrade
- D.Planning and Implementation Services

**Correct Answers: D**

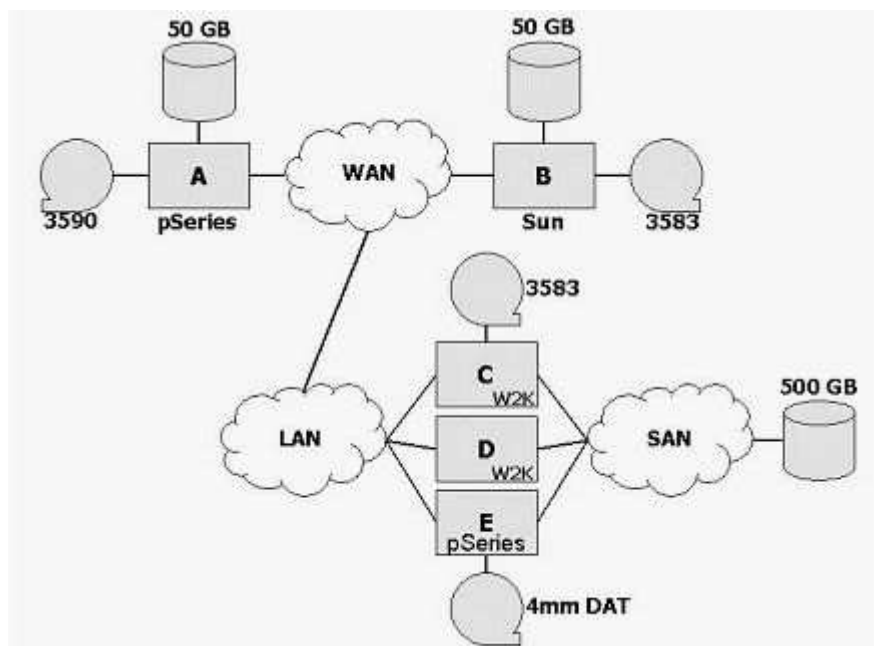
15: A customer would like to integrate a Windows file server into the centralized IBM Tivoli Storage Manager (TSM) backup solution. The servers are SAN attached to an IBM Total Storage DS4500. There is very little LAN bandwidth to spare. What should the Storage Specialist

recommend?

- A. Implement an IBM TSM LAN Free solution.
- B. Add a larger dedicated tape drive and have IBM TSM manage it remotely.
- C. Install IBM TSM for Application Servers.
- D. Install the IBM TSM client and backup over the network.

**Correct Answers: A**

16: Refer to the exhibit to answer the question. The customer wants to run centralized backups. Assuming a uniform change rate for the data on all of the servers shown, which of the following nodes is the best candidate for a backup server?



- A. Node A
- B. Node B
- C. Node C
- D. Node E

**Correct Answers: C**

17: When choosing between an IBM TotalStorage 3582 Tape Library and an IBM TotalStorage 3583 Tape Library for an open system environment, which requirement differentiates the two libraries?

- A. Standalone or rack mounted
- B. SCSI or FC attachment
- C. Logical library sharing
- D. Upgradeable storage slot capacity

**Correct Answers: D**

18: A customer has reviewed the Storage Specialist's proposal for a centralized disk solution supporting Sun, HP, Intel, IBM eServer pSeries and iSeries servers. The customer's feedback indicates that the solution exceeds their budget. They also indicate that they have signed an

agreement outsourcing their iSeries applications. Which of the following would be the most appropriate change to the proposal?

A.Reduce the amount of disk configured in the subsystem.

B.Reduce the amount of disk configured in the subsystem and reduce the SAN port count.

C.Reduce the amount of disk configured, change the subsystem to a NAS solution and eliminate the SAN.

D.Reduce the amount of disk configured, change the subsystem to IBM TotalStorage DS4000 and reduce the SAN port count.

**Correct Answers: D**

19: Which of the following is a competitive advantage of the IBM TotalStorage DS4300 compared to the HP MSA1000?

A.FlashCopy option

B.Remote Mirroring option

C.Additional host configuration options

D.Better reliability, availability, and serviceability (RAS) characteristics

**Correct Answers: B**

20: A customer has a requirement for recall of tape data. The media choice must have the longest archival life. Which of the following would be the most appropriate selection?

A.LTO

B.DLT

C.SDLT

D.3590

**Correct Answers: A**